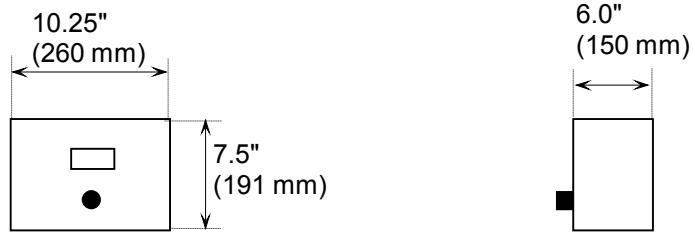
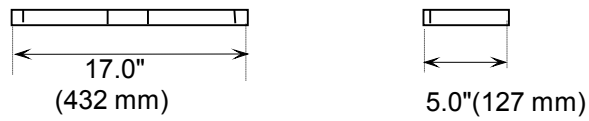


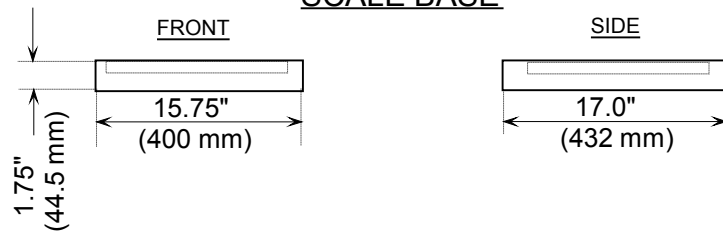
INDICATOR BOX



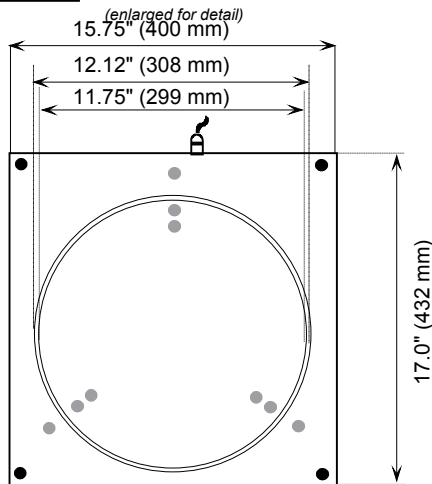
CYLINDER SUPPORT BAR



SCALE BASE



SCALE BASE - TOP VIEW



BOLT DOWN HOLES ~ TYPICAL (4) PLACES  
CLEARANCE FOR 3/8" BOLT