



Scaleton™
Sets The Standard
In Corrosion
Resistance

Model 2352-53™ Digital Dual Cylinder Scale

- Designed for weighing 12" diameter cylinders (and smaller)
- Multiple independent weighing discs and digital LCD displays
- Base sizes: 62"x18", 96"x18"
- Gross capacity range: 0-349 lbs. (158 kg) per disk
- High accuracy of $\pm 0.5\%$ of capacity
- Standard indicator: 3-1/2 digit LCD display with easy readability to 1 lb. (kg) or 0.1 lb. (kg)
- Readout in pounds or kilograms
- Sturdy and accurate three point suspension on each weighing platform
- Patented



Dual 3-1/2 Digit
Indicator
(Standard)

Standard Features

- Corrosion resistant molded fiberglass reinforced thermoplastic construction for use in harsh environments
- Low profile platform design increases safety and ease of cylinder handling
- Electronic indicator housed in NEMA 4X, UL approved enclosure to provide protection from acids
- Stainless steel load cell
- Self-locking tare adjustment knob
- 4-20 mA output signal – scale or loop powered
- Cylinder support and chains

Options

- Low level relay contacts
- Remote mounting of indicator box up to 200 feet (61 meters) away
- Junction box
- Additional length of 4 conductor wire cable

Chemicals

Scale is designed to accurately measure weight of alum, ammonia, caustic, fluoride, phosphate, polymers, sodium aluminate, sodium bisulfate, sodium hydroxide, sodium hypochlorite and other liquids or powders

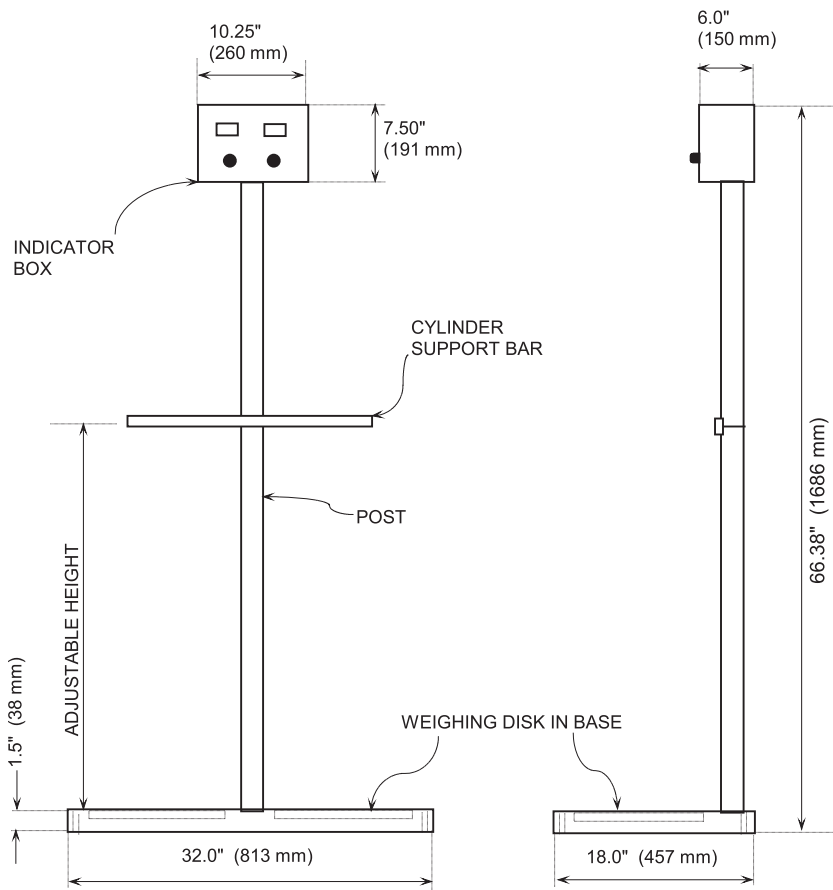
Scaleton Industries Ltd.

Bedminster Industrial Park
53 Apple Tree Lane • P.O. Box 365
Plumsteadville, PA 18949 • USA

Tel: (+1) 215-766-2670 (International)
Tel: (+1) 800-257-5911 (USA & Canada)
Fax: (+1) 215-766-2672

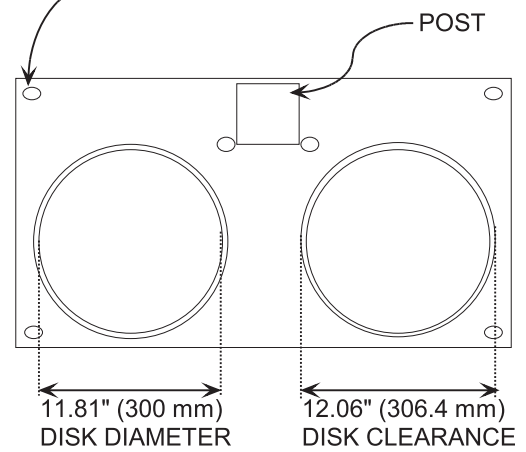
Email: info@scaletonscales.com
Website: www.scaletonscales.com

Model 2352-53™ Digital Dual Cylinder Scale General Specifications



CE 5 year FULL warranty on ALL products!

ANCHOR BOLT HOLES FOR 3/8" BOLT (not supplied)
Typical (4) places



TOP VIEW BASE

Indicator:	3-1/2 Digit
Platform Size:	2352 – 64" (1626 mm) wide x 18" (457 mm) deep; 2353 – 96" (2439 mm) wide x 18" (457 mm) deep
Platform Height:	1-1/2" (38 mm)
Gross Capacity:	Up to 349 lbs. (158 kg) per disk
Accuracy:	±0.5% of full capacity
Resolution:	0.1 lb. (kg) up to 199.9 lbs. (kg)
4-20 mA:	Standard – scale or loop powered
Level Indication/ Relay Contacts:	Optional low level REED relay contact(s)
Power:	85 VAC to 265 VAC, 50/60 Hz
Enclosure:	NEMA 4X, UL Approved Enclosure
Shipping Weight:	2352 – 57 lbs.; 2353 – 72 lbs.

Typical Specifications

Scale must weigh two 150 lb. cylinders. The accuracy must be at least 0.5%. Digital readout must be an LCD Display with characters that are 0.5 inches high, with 0.1 lb. or 0.1 kg resolution. Indicator is required to have 4-20 mA output selectable as scale powered or loop powered for each readout, standard. Indicator must have a knob to set tare weight for each readout. The electronics must be housed in a NEMA 4X, UL approved enclosure. All base hardware must be stainless steel. The post and cross bar shall be coated with dry powder polyester plastic. The entire base must be molded fiberglass reinforced thermoplastic construction to prevent corrosion.

Scale shall be a Model 2352-53™ as manufactured by Scaleton Industries Ltd., Plumsteadville, PA.