



Scaleton™
Sets The Standard
In Corrosion
Resistance

Ton Cylinder Scale Accessories

- Designed for use with Model 3001™ - 3006™ Digital Ton Cylinder Scale
- Accessories feature rugged steel construction protected by a corrosion resistant finish
- Lifting bars are available in two styles – either loop or pin
- Trunnions are constructed with solid UHMW polyethylene rollers on stainless steel axles for ease of turning



Model 3000LB™ Ton Cylinder Lifting Bar:

The Ton Cylinder Lifting Bar is made of 5" channel 9.0 lbs. per foot and has heavy duty hooks cut from 1" plate. There are two styles available: one, as pictured, has a loop made of 1" round stock for use in an area with ample head room. Our second style has a pin centered on the lift bar for use in areas with less head room. Lift bars are caution yellow dry powder polyester plastic coated.

Model 3000ST™ Ton Cylinder Storage Trunnions:

The Ton Cylinder Storage Trunnions are made of 1/2" plate with stainless steel axles and solid 3" UHMW polyethylene rollers with holes in the plate for anchoring. These storage trunnions are caution yellow dry powder polyester plastic coated.

Model 3000TW™ Ton Cylinder Turning Wrench:

The Ton Cylinder Turning Wrench is made of 1/2" flat bar with a 24" long by 1" square tube handle. Turning wrench is caution yellow dry powder polyester plastic coated.

Scaleton Industries Ltd.

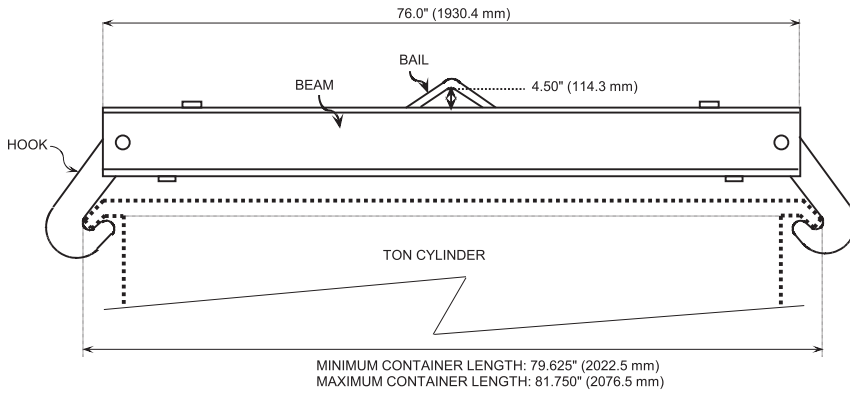
Bedminster Industrial Park
53 Apple Tree Lane • P.O. Box 365
Plumsteadville, PA 18949 • USA

Tel: (+1) 215-766-2670 (International)
Tel: (+1) 800-257-5911 (USA & Canada)
Fax: (+1) 215-766-2672

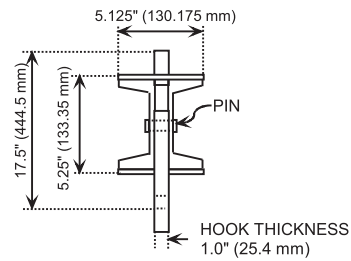
Email: info@scaletonscales.com
Website: www.scaletonscales.com

Ton Cylinder Scale Accessories General Specifications

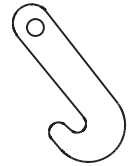
SIDE VIEW



END VIEW



HOOK DETAIL



Model 3000LB

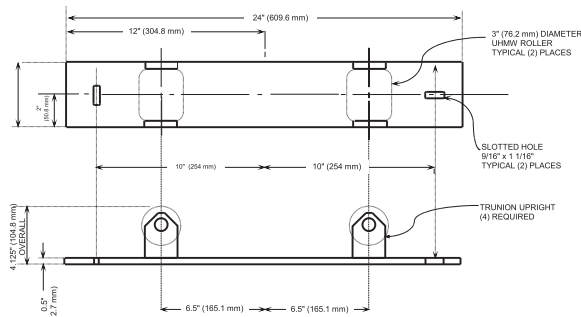
Shipping Weight:

145 lbs.

Typical Specifications

Lifting bar must be made of 5" channel 9.0 lbs. per foot with heavy duty hooks cut from 1" plate, caution yellow dry powder polyester plastic coated to provide protection from corrosive environment.

Lifting bar shall be a Model 3000LB™ as manufactured by Scaleton Industries Ltd., Plumsteadville, PA.



CE 5 year **FULL** warranty
on **ALL** products!

Model 3000ST

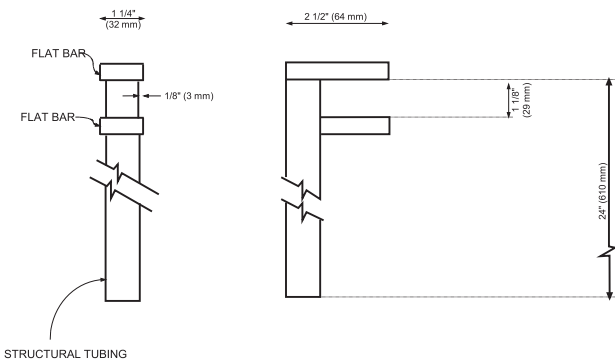
Shipping Weight:

39 lbs.

Typical Specifications

Storage trunnions must be caution yellow dry powder polyester plastic coated to provide protection from corrosive environment. The trunnions shall be made of 1/2" plate with stainless steel axles and solid 3" UHMW polyethylene rollers requiring no maintenance or greasing.

Storage trunnions shall be a Model 3000ST™ as manufactured by Scaleton Industries Ltd., Plumsteadville, PA.



Model 3000TW

Shipping Weight:

5 lbs.

Typical Specifications

Turning wrench for turning ton cylinders must be caution yellow dry powder polyester plastic coated to provide protection from corrosive environment. The turning wrench shall be made of 1/2" bar with 24" long made of 1" square tube.

Turning wrench shall be a Model 3000TW™ as manufactured by Scaleton Industries Ltd., Plumsteadville, PA.