



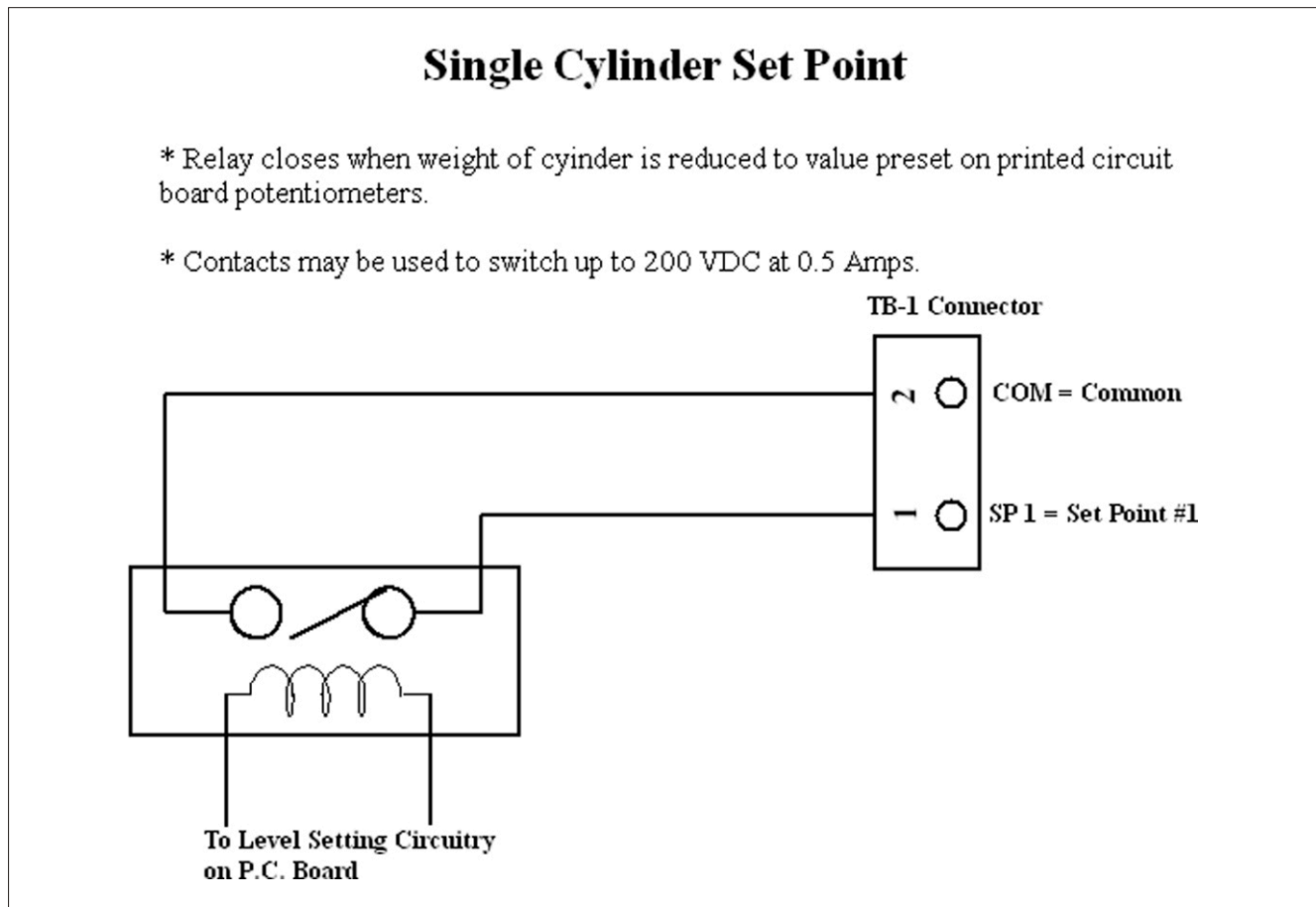
SET POINT ADJUSTMENT PROCEDURE 2310

All set points for low level alarm are set at approximately 10 lb. (or 10 kg) at the factory. We provide a relay contact closure rated at 15 V, 0.5Amp DC. Relay contacts are accessible in the back of the indicator box on the three pin connector. Adjust R56 to change low level set point. Turning the potentiometer clockwise will make closure occur at a higher weight, and counter-clockwise will make closure at a lower weight.

There is over 20 lb. of hysteresis designed into the circuit to minimize relay that once the closure is made, it takes about 20lb over the weight setting to open the contact again.

To adjust, be sure relay is in open state, then reduce weight on the scale until the relay closes. Read weight on indicator when closure occurs, and adjust potentiometer until relay closes at the desired weight. (KEEP IN MIND THAT THE HYSTERESIS MUST BE EXCEEDED TO OPEN THE RELAY.)

This is an analog set point and will vary a few pounds in repeatability.



Scaleton™ Industries, Ltd.

Bedminster Industrial Park
53 Apple Tree Lane
P.O. Box 365
Plumsteadville, PA 18949 USA

Toll Free: 1-800-257-5911 (USA & Canada)

Phone: (+1) 215-766-2670 (international)
Fax: (+1) 215-766-2672
E-mail: info@scaletonscales.com
Website: www.scaletonscales.com