

- NOTES: UNLESS OTHERWISE SPECIFIED
1. STRUCTURAL MATERIAL IS STEEL "C" CHANNEL
 2. POWDER COAT FINISH

BASE SIZE	"A"	"B"	"C"	"D"
24"	24"	19.5"	21.25"	11.75"
30"	30"	25.5"	27.25"	14.75"
36"	36"	31.5"	33.25"	17.75"

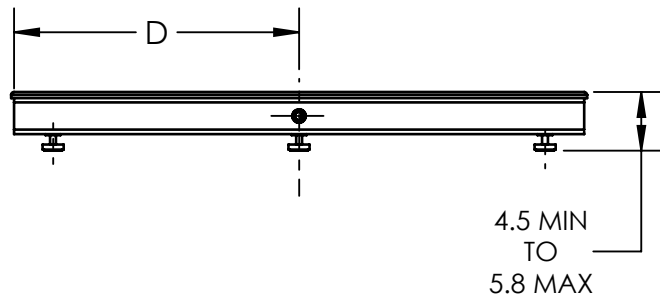
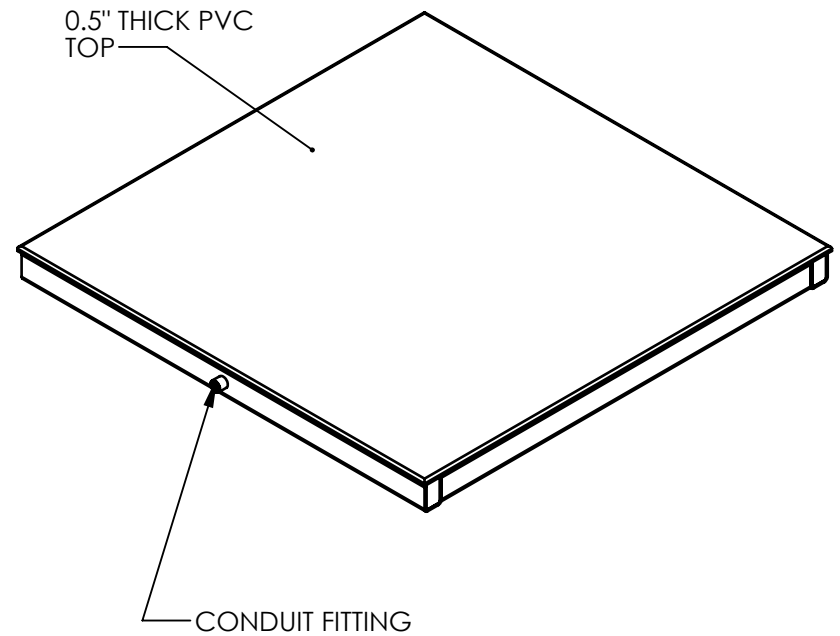
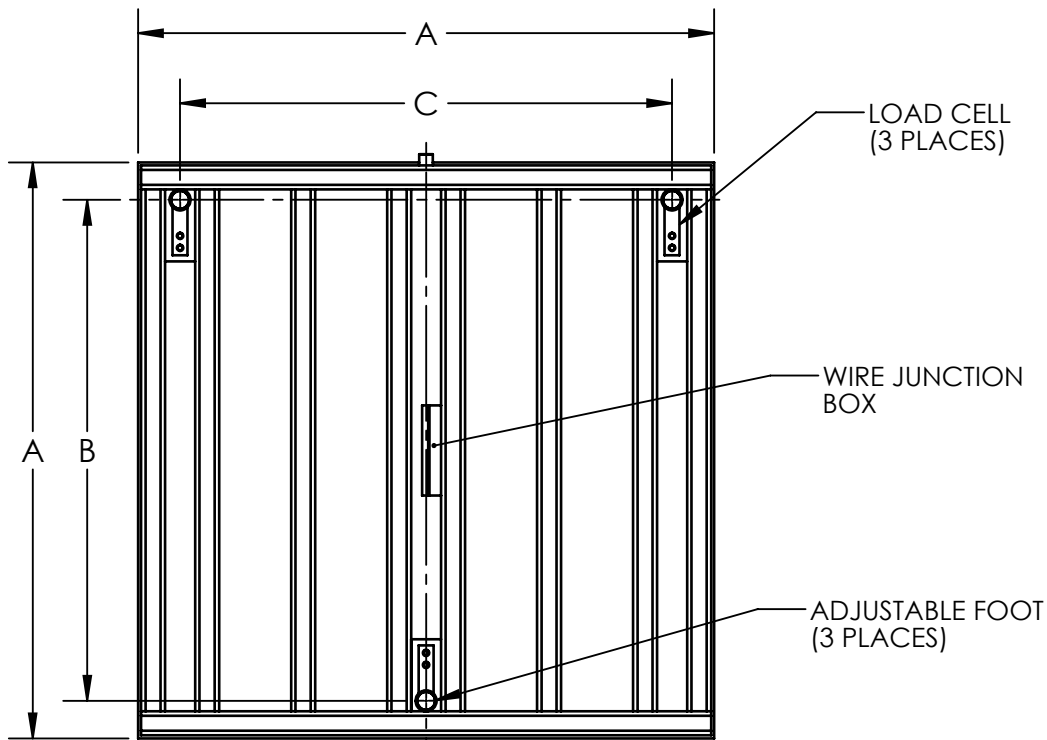
UNLESS OTHERWISE SPECIFIED: DIMENSIONS ARE IN INCHES	PROPRIETARY AND CONFIDENTIAL THE INFORMATION CONTAINED IN THIS DRAWING IS THE SOLE PROPERTY OF SCALETRON INDUSTRIES LTD. ANY REPRODUCTION IN PART OR AS A WHOLE WITHOUT THE WRITTEN PERMISSION OF SCALETRON INDUSTRIES LTD IS PROHIBITED.	
TOLERANCES: FRACTIONAL ±1/32" ANGULAR: MACH ±1° BEND ±1° TWO PLACE DECIMAL ±.01 THREE PLACE DECIMAL ±.005	MATERIAL	NAME DATE
SEE NOTES	DRAWN	JMS 5/22/2015
FINISH	CHECKED	
POWDER COAT	ENG APPR.	
	MFG APPR.	
DO NOT SCALE DRAWING	Q.A.	



TITLE: MODEL 4030 SCALE
SIZES 24" TO 36"

SIZE DWG. NO. REV
A SI-4030-S5-C-001

SCALE: 1:12 SHEET 1 OF 1



- NOTES: UNLESS OTHERWISE SPECIFIED
1. ALL STRUCTURAL MATERIAL IS RECTANGULAR STEEL TUBING
 2. POWDER COAT FINISH

BASE SIZE	"A"	"B"	"C"	"D"
48"	48"	41.75"	41"	23.75"
60"	60"	53.75"	53"	29.75"
72"	72"	65.75"	65"	35.75"

UNLESS OTHERWISE SPECIFIED:
DIMENSIONS ARE IN INCHES

TOLERANCES:
FRACTIONAL ±1/32"
ANGULAR: MACH ±1°
..... BEND ±1°
TWO PLACE DECIMAL ±.01
THREE PLACE DECIMAL ±.005

PROPRIETARY AND CONFIDENTIAL
THE INFORMATION CONTAINED IN THIS DRAWING IS THE SOLE PROPERTY OF SCALETRON INDUSTRIES LTD. ANY REPRODUCTION IN PART OR AS A WHOLE WITHOUT THE WRITTEN PERMISSION OF SCALETRON INDUSTRIES LTD IS PROHIBITED.



TITLE:
**MODEL 4030 SCALE
SIZES 48" TO 72"**

MATERIAL
SEE NOTES

FINISH
POWDER COAT

DO NOT SCALE DRAWING

	NAME	DATE
DRAWN	JMS	5/22/2015
CHECKED		
ENG APPR.		
MFG APPR.		
Q.A.		

SIZE	DWG. NO.	REV
A	SI-4030-S6-C-001	

SCALE: 1:16

SHEET 1 OF 1