

- NOTES: UNLESS OTHERWISE SPECIFIED
1. ALL STRUCTURAL MATERIAL IS STEEL "C" CHANNEL
 2. POWDER COATED FINISH

BASE SIZE	"A"	"B"	"C"	"D"
24"	24"	19.5"	21.75"	11.75"
30"	30"	25.5"	27.75"	14.75"
36"	36"	31.5"	33.75"	17.75"

UNLESS OTHERWISE SPECIFIED:
DIMENSIONS ARE IN INCHES

TOLERANCES:
 FRACTIONAL $\pm 1/32"$
 ANGULAR: MACH $\pm 1^\circ$
 BEND $\pm 1^\circ$
 TWO PLACE DECIMAL $\pm .01$
 THREE PLACE DECIMAL $\pm .005$

MATERIAL
SEE NOTES

FINISH
POWDER COAT

DO NOT SCALE DRAWING

PROPRIETARY AND CONFIDENTIAL
 THE INFORMATION CONTAINED IN THIS DRAWING IS THE SOLE PROPERTY OF SCALETRON INDUSTRIES LTD. ANY REPRODUCTION IN PART OR AS A WHOLE WITHOUT THE WRITTEN PERMISSION OF SCALETRON INDUSTRIES LTD IS PROHIBITED.

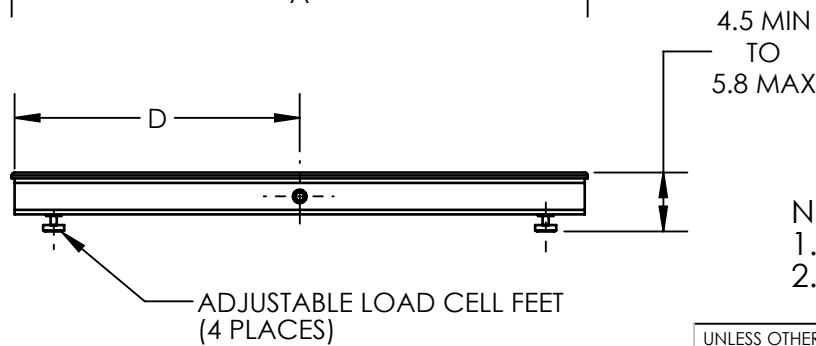
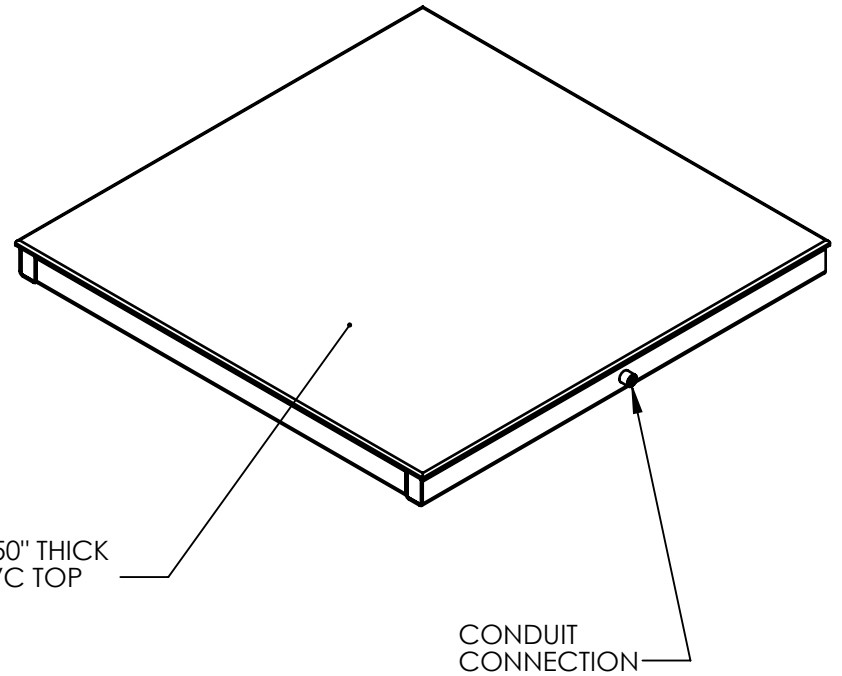
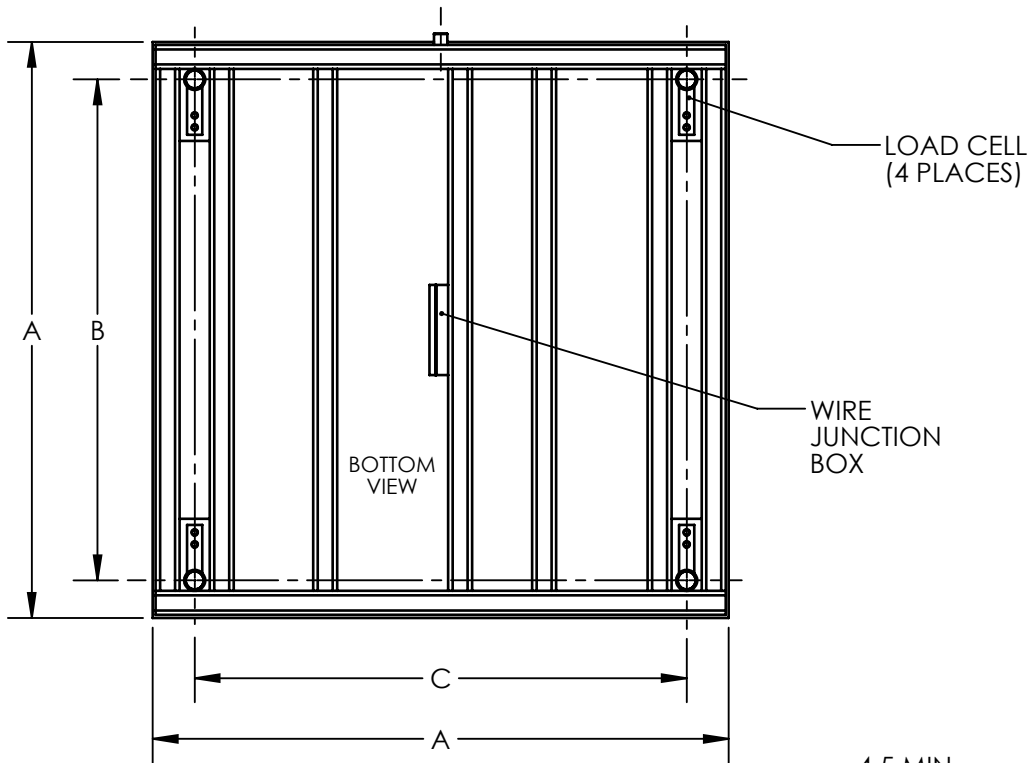
	NAME	DATE
DRAWN	JMS	5/27/15
CHECKED		
ENG APPR.		
MFG APPR.		
Q.A.		



TITLE:
**MODEL 4040 SCALE
SIZES 24" TO 36"**

SIZE A	DWG. NO. SI-4040-S5-C-001	REV 3
------------------	------------------------------	-----------------

SCALE: 1:12 SHEET 1 OF 1



- NOTES: UNLESS OTHERWISE SPECIFIED
1. ALL STRUCTURAL MATERIAL IS RECTANGULAR STEEL TUBING
 2. POWDER COAT FINISH

BASE SIZE	"A"	"B"	"C"	"D"
48	48"	41.75"	41"	23.75"
60	60"	53.75"	53"	29.75"
72	72"	65.75"	65"	35.75"

UNLESS OTHERWISE SPECIFIED:
DIMENSIONS ARE IN INCHES

TOLERANCES:
 FRACTIONAL ±1/32"
 ANGULAR: MACH ±1°
 BEND ±1°
 TWO PLACE DECIMAL ±.01
 THREE PLACE DECIMAL ±.005

MATERIAL
SEE NOTES

FINISH
POWDER COAT

DO NOT SCALE DRAWING

PROPRIETARY AND CONFIDENTIAL
 THE INFORMATION CONTAINED IN THIS DRAWING IS THE SOLE PROPERTY OF SCALETRON INDUSTRIES LTD. ANY REPRODUCTION IN PART OR AS A WHOLE WITHOUT THE WRITTEN PERMISSION OF SCALETRON INDUSTRIES LTD IS PROHIBITED.

	NAME	DATE
DRAWN	JMS	5/27/15
CHECKED		
ENG APPR.		
MFG APPR.		
Q.A.		



TITLE:
**MODEL 4040 SCALE
SIZES 48" TO 72"**

SIZE **A** DWG. NO. **SI-4040-S6-C-001** REV **2**

SCALE: 1:16 SHEET 1 OF 1