



**Scaleton™
Sets The Standard
In Corrosion
Resistance**

Model 4042-26™ Spill Containment Drum Scale

- Accurately displays the weight of the net remaining chemical that has NOT been dispensed into the water treatment system, while splashes and small spills are contained within the basin
- Splashes and small spills DO NOT appear as if they have been injected into the water treatment system
- Meets secondary spill containment requirements by the EPA, OSHA, and other local agencies
- Standard base size 26"x26" - other sizes available
- Gross capacity range 0-1500 lbs. (680 kg) - other capacities available
- High accuracy of $\pm 0.1\%$ to 0.5%
- Standard indicator: 3-1/2 digit LCD display with easy readability to 1 lb. (kg), 0.1lb (kg)



3-1/2 Digit Indicator
(Standard)

4-1/2 Digit Indicator
(Optional)

1020™ 5 Digit
Controller (Optional)

1099™ Chemical
Process Controller (Optional)



Standard Features

- Rugged steel construction protected by corrosion resistant finish, with polyethylene containment basin
- Four load cell design means the load can be placed anywhere on the containment platform and does not need to be leveled
- Electronic indicator housed in NEMA 4X, UL approved enclosure to provide protection from acids
- Load cells are mounted outside of spill containment basin to eliminate damage due to chemical spills.
- Self-locking tare adjustment knob
- 4-20 mA output – scale or loop powered
- 20 ft. of 4 conductor wire cable

Options

- 240 VAC power (4-1/2 digit display)
- 4-1/2 digit display with active and passive 4-20 mA, 0-20 mA, and -8 to +12 mA, and two adjustable low level contacts
- Model 1020™ 5 digit controller with loop powered 4-20 mA, up to four adjustable set points and one or two channels
- Model 1099™ Chemical Process Controller
- Remote mounting of indicator box up to 200 feet (61 meters) away
- Junction box – Additional length of wire cable

Chemicals

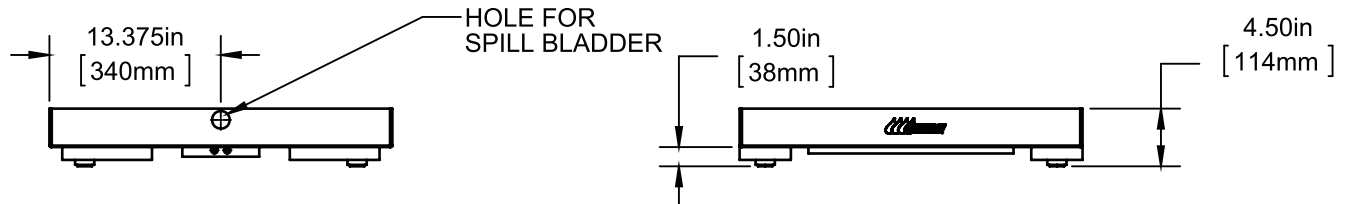
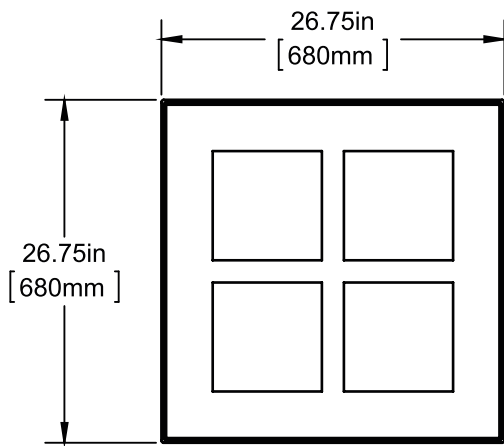
Scale is designed to accurately measure weight of alum, ammonia, caustic, fluoride, phosphate, polymers, sodium aluminate, sodium bisulfate, sodium hydroxide, sodium hypochlorite and other liquids or powders

Scaleton Industries Ltd.

Bedminster Industrial Park
53 Apple Tree Lane • P.O. Box 365
Plumsteadville, PA 18949 • USA

Tel: (+1) 215-766-2670 (International)
Tel: (+1) 800-257-5911 (USA & Canada)
Fax: (+1) 215-766-2672

Email: info@scaletonscales.com
Website: www.scaletonscales.com



Model 4042-26™ Spill Containment Drum Scale General Specifications

Indicator/Controller:	3-1/2 Digit	4-1/2 Digit	1020™	1099™ C.P.C.
Platform Size & (Containment Capacities):	26"x26" (11 gal.) – other sizes available			
Platform Height:	7.5" (190.5 mm)			
Gross Capacity:	Up to 1500 lbs. (680 kg) – other capacities available (150% overload protection is provided)			
Accuracy:	0.5% of full capacity		.01%-0.25% full capacity	
Resolution:	0.1 up to 199.9, or 1.0 over 200 lbs. (kg)		0.1 up to 999.9, or 1.0 over 1000 lbs. (kg)	
4-20 mA:	Standard – scale or loop powered		Standard on Channel 1, Optional on Channel 2 – loop powered	Standard on Channel 1 – loop powered (available for Channels 2 thru 4)
Level Indication/ Relay Contacts:	Optional	(2) Standard	Optional – Up to 4 (as high or low) on one channel or more than one per channel for a total of 4 set points with relay contract	
Power:	85 VAC to 265 VAC	120VAC, 50/60 Hz, 0.3A 240VAC, 50/60Hz, 0.15A	85VAC to 265VAC	
Enclosure:	NEMA 4X, UL Approved Enclosure			
Shipping Weight:	96 lbs			

Typical Specifications

The Spill Containment Drum Scale must have rugged steel frame that is zinc oxide primed and dry powder epoxy coated. The integral containment deck and basin shall be solid polyethylene. All hardware must be stainless steel. Scale frame height shall not exceed 1.5". Total height with containment deck shall not exceed 7.5". Load cells must be sealed in gasketed PVC enclosure. All 4 load cells shall be located outside the chemical containment basin to eliminate damage due to chemical spills.

Scale shall be a Model 4042-26™ as manufactured by Scaleton Industries Ltd., Plumsteadville, PA.

CE 5 year FULL warranty
on ALL products!

STANDARD INDICATOR:

3-1/2 Digit LCD Indicator: Indicator must be electronic with digital display with characters 0.5 inches high, with 0.1 lb. or 0.1 kg resolution and housed in a NEMA 4X, UL approved enclosure. Indicator is required to have 4-20 mA output selectable as scale powered or loop powered, standard. Indicator must have a knob to set tare weight. Accuracy is 0.5% of full scale, or better.

OPTIONAL INDICATORS/CONTROLLERS:

4-1/2 Digit LED Indicator: Indicator must be electronic with digital display with characters 0.56 inches high and housed in a NEMA 4X, UL approved enclosure. An output of 4-20 mA, 0-20 mA, or -8 to + 12 mA, selectable as scale or loop powered to provide versatility to interface with related equipment, must be standard equipment. Indicator comes with two low level relay contacts, standard. A knob to set tare weights is required. Indicator must be capable of 0.1 lb. or 0.1 kg up to 1000.0 lbs. or kg. Accuracy is 0.5% of full scale, or better.

Model 1020™ 5 Digit Controller: Controller must be electronic with a two line, backlit alphanumeric digital display and housed in a NEMA 4X, UL approved enclosure. Available as single or dual channel and capable of displaying two channels simultaneously. A loop powered programmable output of 4-20 mA and four set points per channel must be standard equipment. Indicator must be capable of 0.1 lb. or 0.1 kg up to 1500 lbs. or 680 kg. Accuracy is 0.25% of full scale, or better.

Model 1099™ Chemical Process Controller see separate specification.