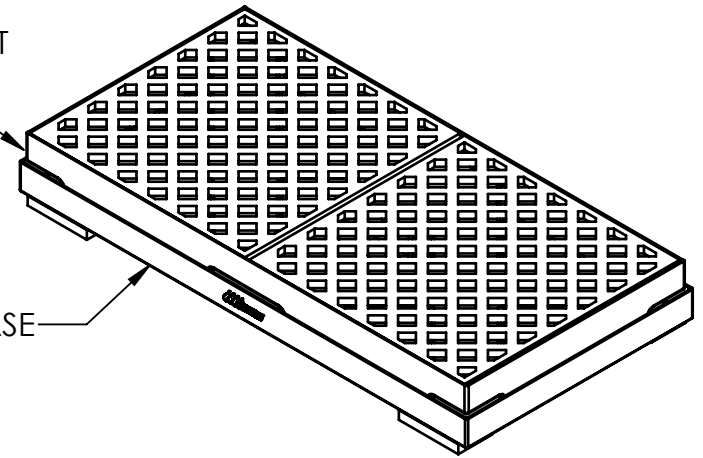
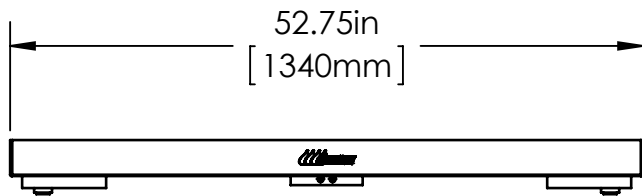


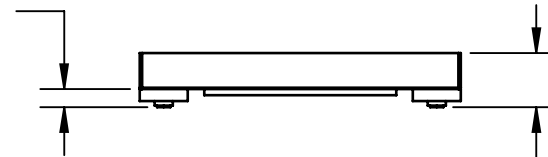
SPILL  
CONTAINMENT  
BASIN



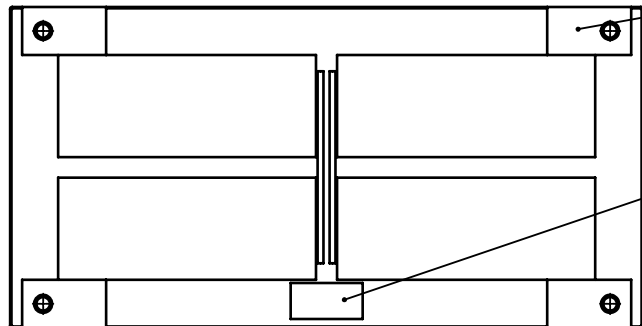
SCALE BASE



1.50in  
[38mm]



4.50in  
[114mm]  
SEE NOTE 2



CONTAINED LOAD CELL  
WITH STAINLESS FOOT  
(4 PLACES)

WIRE JUNCTION BOX  
SEE NOTE 1

- NOTES: UNLESS OTHERWISE SPECIFIED
1. INCLUDES 20FT [6.1m] OF 4 CONDUCTOR WIRE
  2. HEIGHT WITH SPILL CONTAINMENT BASIN IS APPROXIMATELY 7.5' [191mm]

UNLESS OTHERWISE SPECIFIED:  
DIMENSIONS ARE IN INCHES

**TOLERANCES:**  
 FRACTIONAL ..... ±1/32"  
 ANGULAR: ..... MACH ±1°  
 ..... BEND ±1°  
 TWO PLACE DECIMAL ..... ±.01  
 THREE PLACE DECIMAL ..... ±.005

**PROPRIETARY AND CONFIDENTIAL**  
 THE INFORMATION CONTAINED IN THIS  
 DRAWING IS THE SOLE PROPERTY OF  
 SCALETRON INDUSTRIES LTD. ANY  
 REPRODUCTION IN PART OR AS A WHOLE  
 WITHOUT THE WRITTEN PERMISSION OF  
 SCALETRON INDUSTRIES LTD IS  
 PROHIBITED.



TITLE: **MODEL 4042**  
**26" x 52" SPILL**  
**CONTAINMENT SCALE**

	NAME	DATE
MATERIAL	DRAWN JMS	1/04/17
FINISH	CHECKED	
	ENG APPR.	
	MFG APPR.	
DO NOT SCALE DRAWING	Q.A.	

SIZE DWG. NO. REV  
**A** SI-4042-52-C-001 -

SCALE: 1:16 SHEET 1 OF 1