

Ton Cylinder Scale Accessories

- Designed for use with Model 3000™ Digital Ton Cylinder Scales
- Features rugged steel construction protected by a corrosion resistant finish
- Gross Capacity: Up to 4,000 lbs. (1814 kg) for lifting bar and trunnions
- Lifting bar includes heavy duty hooks, lifting bail and two fork lift carry points
- Trunnions are constructed with solid UHMW polyethylene rollers on stainless steel axles for ease of turning



Model 3000LB™ Ton Cylinder Lifting Bar

Easily Lift and Transport Ton Cylinders and Containers

Model 3000LB is designed for easy lifting and transporting of ton cylinders and containers with a gross weight of up to 4,000 lbs. Featuring rugged construction, lifting bar includes heavy duty hooks, lifting bail and two fork lift carry points. MADE IN USA.

Model 3000ST™ Ton Cylinder Storage Trunnions

Provides Simple and Efficient Method for Storing of Ton Containers

Model 3000ST are heavy-duty cradles designed for storing ton containers and cylinders prior to use with a gross weight of up to of 4,000 lbs. Featuring rugged construction and solid UHMW polyethylene rollers, set includes two (2) trunnions. MADE IN USA.

Model 3000TW™ Ton Cylinder Turning Wrench

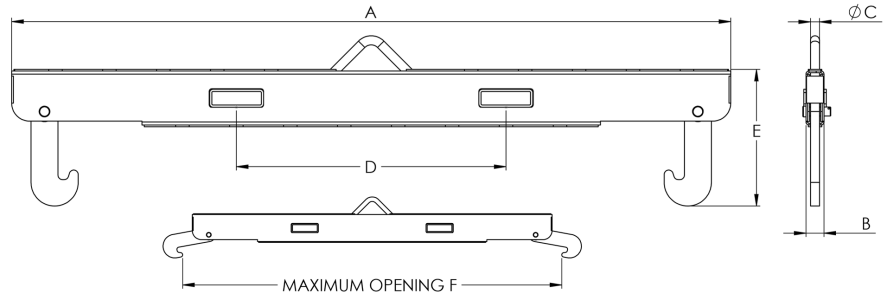
Makes Turning Ton Cylinders and Containers Easy

Model 3000TW is designed to make turning ton cylinders and containers easier. Featuring rugged construction, wrench is 48" long to provide the extra torque needed to aid in turning the cylinder. MADE IN USA.

Ton Cylinder Scale Accessories General Specifications

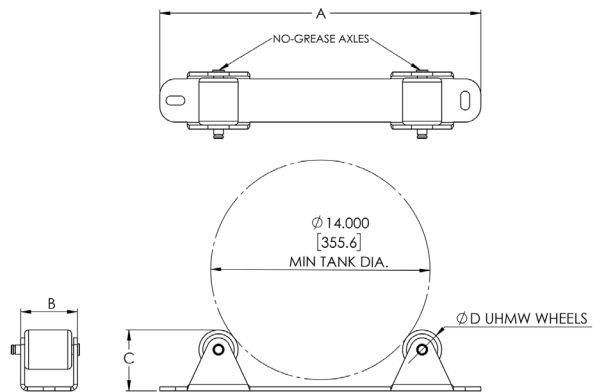
Model 3000LB™ Ton Cylinder Lifting Bar Specifications

PART NUMBER	3000LB
A	80.00" (2032 mm)
B	30.00" (762 mm)
C	1.00" (25 mm)
D	2.00" (51 mm)
E	15.19" (386 mm)
F	84.30" (2130 mm)
Gross Capacity	4000 lbs. (1814 kg)
Weight	110 lbs.



Model 3000ST™ Ton Cylinder Storage Trunnions Specifications

PART NUMBER	3000ST
A	20.5" (521 mm)
B	3.875" (92 mm)
C	3.625" (92 mm)
D	2.50" (64 mm)
Gross Capacity	4000 lbs. (1814 kg)
Weight	39 lbs.



Model 3000TW™ Ton Cylinder Turning Wrench Specifications

PART NUMBER	3000TW-48
A	48.0" (1219 mm)
B	2.50" (64 mm)
C	1.25" (32 mm)
D	1.0" (26 mm)
Weight	10 lbs.

