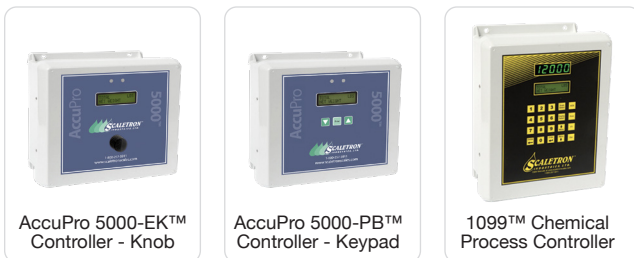




SCALETRON™ SETS THE STANDARD
IN CORROSION RESISTANCE™

Model 4042-26x52™ Spill Containment Dual Drum Scale

- Accurately weighs the net remaining chemical that has NOT been dispensed including splashes and spills that are contained within basin
- Standard base size: 26"x52" – other sizes available
- Net capacity: Up to 2,000 lbs. (907 kg) – other capacities available
- Containment capacity: 22 gal.
- High accuracy of $\pm 0.1\%$
- Single or multi-channel controllers with easy readability to 0.1 lb. (kg)
- Readout in pounds, kilograms, gallons or liters



AccuPro 5000-EK™
Controller - Knob

AccuPro 5000-PB™
Controller - Keypad

1099™ Chemical
Process Controller

Dual Drum Scale is Ideal for Frequent On/Off Loading and Meets EPA & OSHA Requirements for Spill Containment

Model 4042-26x52 is designed for weighing two tanks or drums up to 26" in diameter. Featuring a four (4) load cell design, the scale base is ideal for applications requiring frequent on/off loading of containers. PATENTED – MADE IN USA.

Standard Features

- Rugged steel construction protected by corrosion resistant, zinc oxide primed and dry powder epoxy coated finish, with polyethylene containment basin for use in harsh environments
- Accommodates off-center loads – drums can be placed anywhere on the containment platform and do not need to be leveled
- Four (4) NTEP stainless steel shear beam, temperature compensated load cells with stainless steel leveling feet
- Load cells are mounted outside of spill containment basin to eliminate damage due to chemical spills
- All hardware is stainless steel to prevent corrosion
- Electronic indicator housed in NEMA 4X, UL approved enclosure to provide protection from acids
- 20 ft. of 4 conductor wire cable

Available Controllers

- AccuPro 5000 Digital Controller with one or 2 channels, encoder knob or 3 button keypad, audible alarm and 4-20 mA output signal – scale or loop powered
- Model 1099 Chemical Process Controller with 1 to 4 channels, 20 button keypad and 4-20 mA output signal – scale or loop powered

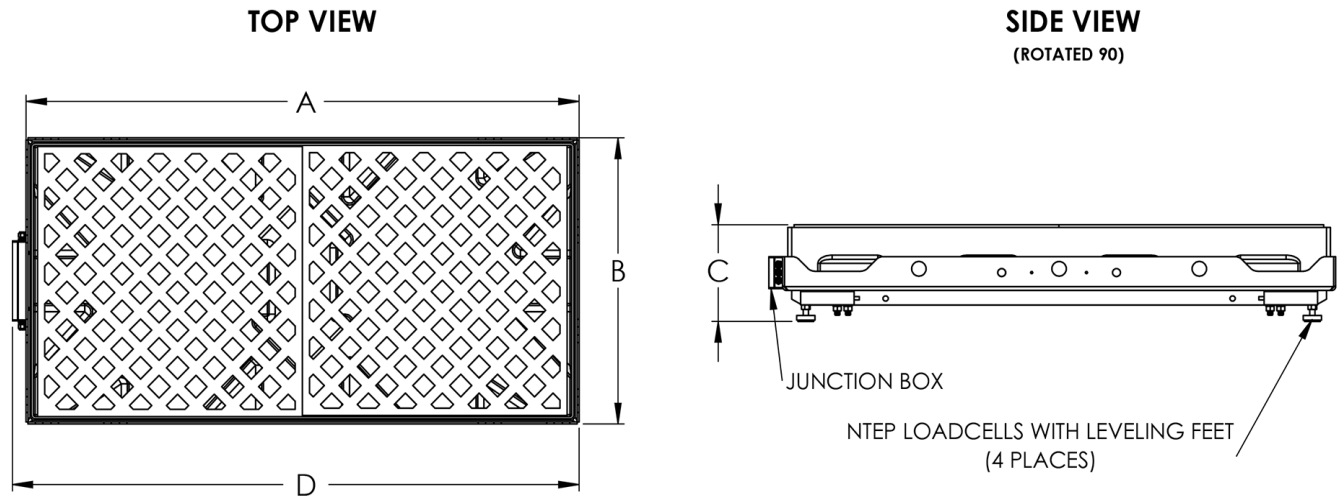
Options

- High and low level set points
- 0-5V or 0-10V output signal
- Remote mounting of indicator box up to 200 feet away

Chemicals

- Scale is designed to accurately measure weight of alum, ammonia, caustic, fluoride, phosphate, polymers, sodium aluminate, sodium bisulfate, sodium hydroxide, sodium hypochlorite and other liquids or powders

Model 4042ECO-26x52™ Spill Containment Dual Drum Scale Specifications



Scale Base

PART NUMBER	4042-26X52
Platform Length (A)	53.0" (1346 mm)
Platform Width (B)	26.88" (683 mm)
Platform Height (C)	9.09" (231 mm)
D	54.32" (1380 mm)
Net Capacity	Up to 2000 lbs. (907 kg) (150% overload protection is provided)
Containment Capacity	22 gal.
Weight	96 lbs.

Digital Controllers

PART NUMBER	ACCUPRO 5000-EK	ACCUPRO 5000-PB	1099 C.P.C.
Interface	Encoder knob	Keypad with three (3) push buttons	20 Button keypad
Accuracy	±0.1% to ±0.25% of full scale capacity	±0.1% to ±0.25% of full scale capacity	±0.1% to 0.25% of full scale capacity
Display	6 Digit alphanumeric backlit LCD	6 Digit alphanumeric backlit LCD	6 Digit LED & alphanumeric backlit LCD
Display Units	Pounds, kilograms, gallons or liters	Pounds, kilograms, gallons or liters	Pounds, kilograms, gallons or liters
Channels	1 or 2 - One scale base per channel	1 or 2 - One scale base per channel	Up to 4
4-20 mA	4-20mA Standard, 0-5V or 0-10V optional - 1 Output per channel, scale or loop powered	4-20mA Standard, 0-5V or 0-10V optional - 1 Output per channel, scale or loop powered	Standard on channel 1 - Loop powered (available for channels 2 thru 4)
Set Points	2 or 4 Per channel (high or low)	2 or 4 Per channel (high or low)	1 to 4 (high or low)
Remote Mounting	Up to 200 feet from base frame	Up to 200 feet from base frame	Up to 200 feet from base frame
Audible Alarm	Piezo buzzer with adjustable volume	Piezo buzzer with adjustable volume	Optional piezo buzzer with adjustable volume
Power	120/240 VAC, 50/60 Hz, 0.10/0.05A	120/240 VAC, 50/60 Hz, 0.10/0.05A	120/240 VAC, 50/60 Hz, 0.10/0.05A
Enclosure	NEMA 4X, UL approved enclosure	NEMA 4X, UL approved enclosure	NEMA 4X, UL approved enclosure
Weight	7 lbs.	7 lbs.	9 lbs.

Scaleton Industries Ltd.

Bedminster Industrial Park
53 Apple Tree Lane • P.O. Box 365
Plumsteadville, PA 18949 • USA

Tel: (+1) 215-766-2670 (International)
Tel: (+1) 800-257-5911 (USA & Canada)
Fax: (+1) 215-766-2672

Email: info@scaletonscales.com
Website: www.scaletonscales.com