

MODEL NUMBERS

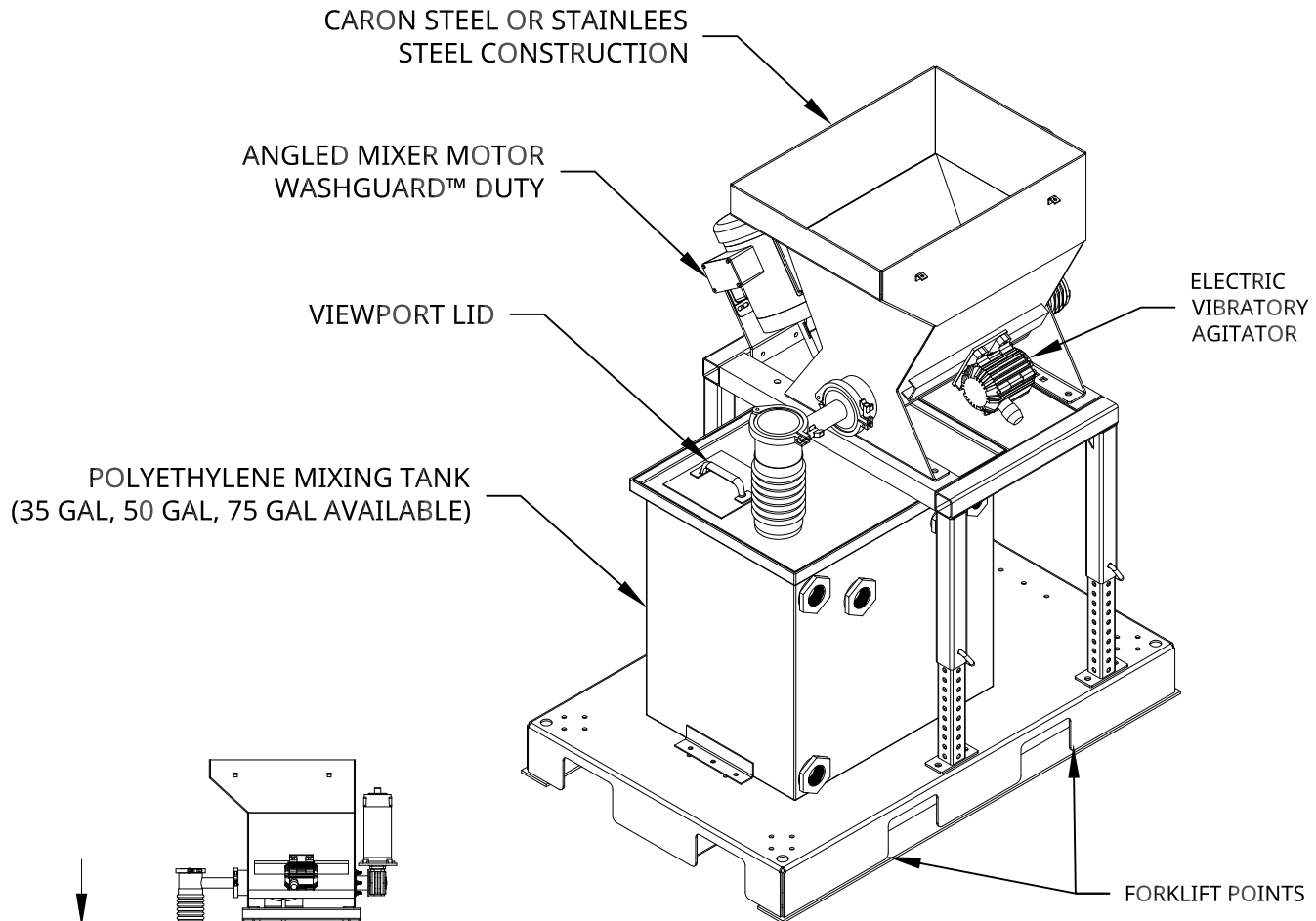
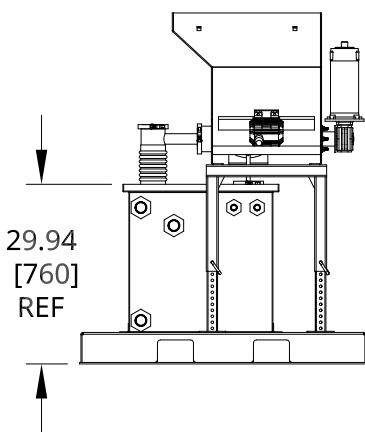
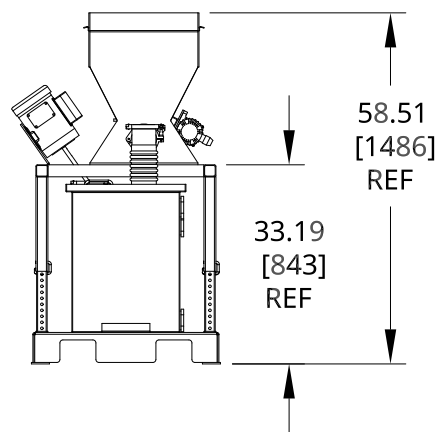
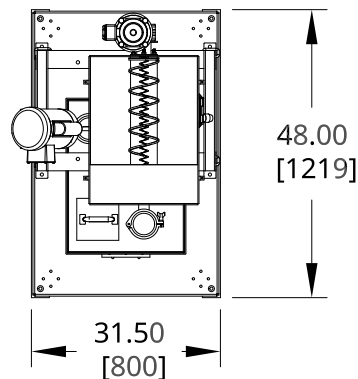
VMF-90E

48" x 31" x 58.5"

Qty	Model No.

AVAILABLE OPTIONS:

1. LIFT-OFF LID
2. TILT BAGLOADER
3. PROGRAMMABLE FEEDER CONTROL MODULE STAND
4. EXPLOSION PROOF CLASSIFICATION
5. LIW SYSTEM "LOSS IN WEIGHT"



VMF-90E STANDARDS:

1. VOLUME OF VMF-90E IS 3.6 FT³
2. 304 STAINLESS STEEL OR CARBON STEEL CONSTRUCTION
3. 1.5" OPEN HELIX SCREW WITH CONCENTRIC MATERIAL CONDITIONING AUGER
4. 115V/230V 1 PHASE 60 HZ 1/2 HP TENV 56 C FRAME 1750 RPM WASHGUARD™ MOTOR
5. 21:1/83 RPM GEAR RATIO
6. ELECTRIC VIBRATORY AGITATOR
7. PROGRAMMABLE FEEDER CONTROL MODULE ENCLOSED IN NEMA 4X BOX



Bedminster Industrial Park
 53 Apple Tree Lane P.O. Box 365
 Plumsteadville, PA 18949 USA
 www.scaletronscales.com
 info@scaletronscales.com
 Toll Free: 1-800-257-5911 (USA & Canada)
 Phone: (+1) 215-766-2670 (International)
 Fax: (+1) 215-766-2672

SCALETRON MODEL VMF-90E VOLUMETRIC SCREW FEEDER SKID PACKAGE W/ SOLUTION TANK

DRAWN BY: KEH

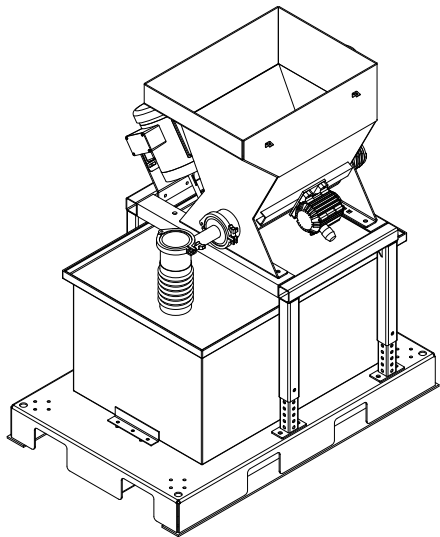
DATE: 08/22/2018

SCALE: DO NOT SCALE

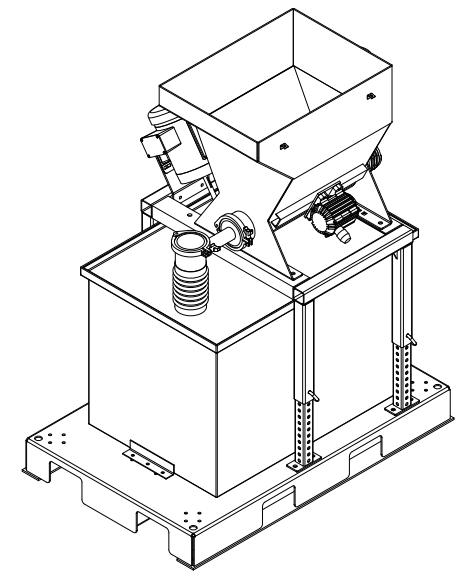
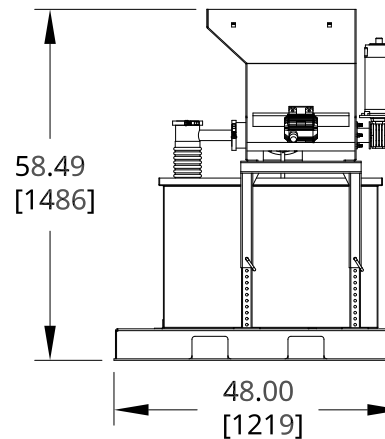
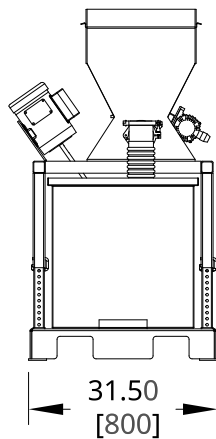
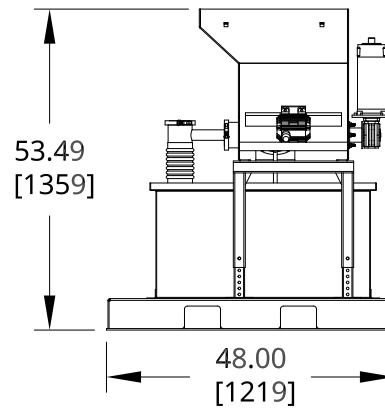
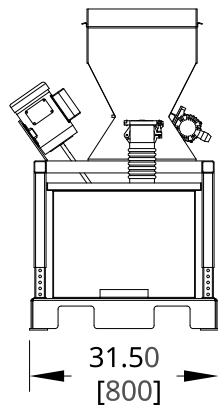
DRAWING NUMBER

MK19-U-01

REV 02



75 GAL SOLUTION TANK



50 GAL SOLUTION TANK



Bedminster Industrial Park
 53 Apple Tree Lane P.O. Box 365
 Plumsteadville, PA 18949 USA
 www.scaletronscales.com
 info@scaletronscales.com
 Toll Free: 1-800-257-5911 (USA & Canada)
 Phone: (+1) 215-766-2670 (International)
 Fax: (+1) 215-766-2672

SCALETRON MODEL VMF-90E
 VOLMETRIC SCREW FEEDER SKID
 PACKAGE W/ SOLUTION TANK

DRAWN BY: KEH

DATE: 08/22/2018

SCALE: DO NOT SCALE

DRAWING NUMBER

MK19-U-01

REV 01