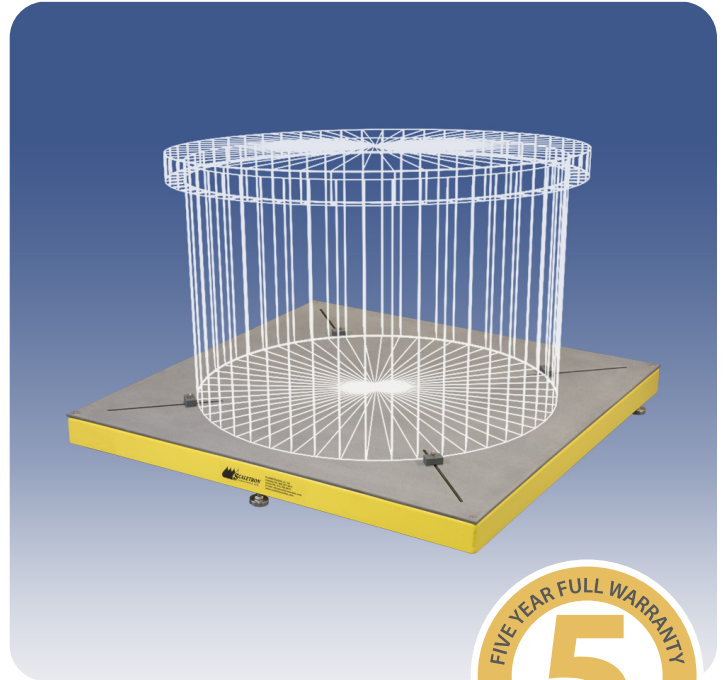




SCALETRON™ SETS THE STANDARD  
IN CORROSION RESISTANCE™

## Model 4010™ Digital Tank Scale

- Standard base sizes: 24"x 24", 30"x 30", 36"x 36" & 48"x 48" - custom capacities available
- Net capacity: Up to 5,000 lbs. (2268 kg) – custom capacities available
- High accuracy of  $\pm 0.25\%$  of capacity
- Single or multi-channel controllers with easy readability to 0.1 lb. (kg)
- Readout in pounds, kilograms, gallons or liters



## Accurately Weigh a Permanently Mounted a Tank or Drum in Pump In/Out Applications

Model 4010 is designed for weighing tanks or drums up to 48" in diameter. Featuring an economical single load cell design, the scale base is ideal for high capacity, centered load applications. MADE IN USA.

### Standard Features

- Rugged steel construction protected by a corrosion resistant, zinc oxide primed and dry powder epoxy coated finish, with solid 1/4" PVC decking for use in harsh environments
- Low profile platform (3.75" or 4.75") design increases safety and ease of tank handling
- Designed for centered loads – includes adjustable tank centering blocks in base
- NTEP stainless steel shear beam, temperature compensated load cell
- All hardware is stainless steel to prevent corrosion
- Electronic indicator housed in NEMA 4X, UL approved enclosure to provide protection from acids
- 20 ft. of 4 conductor wire cable

### Available Controllers

- AccuPro 5000 Digital Controller with one or 2 channels, encoder knob or 3 button keypad, audible alarm and 4-20 mA output signal – scale or loop powered
- Model 1099 Chemical Process Controller with 1 to 4 channels, 20 button keypad and 4-20 mA output signal – scale or loop powered

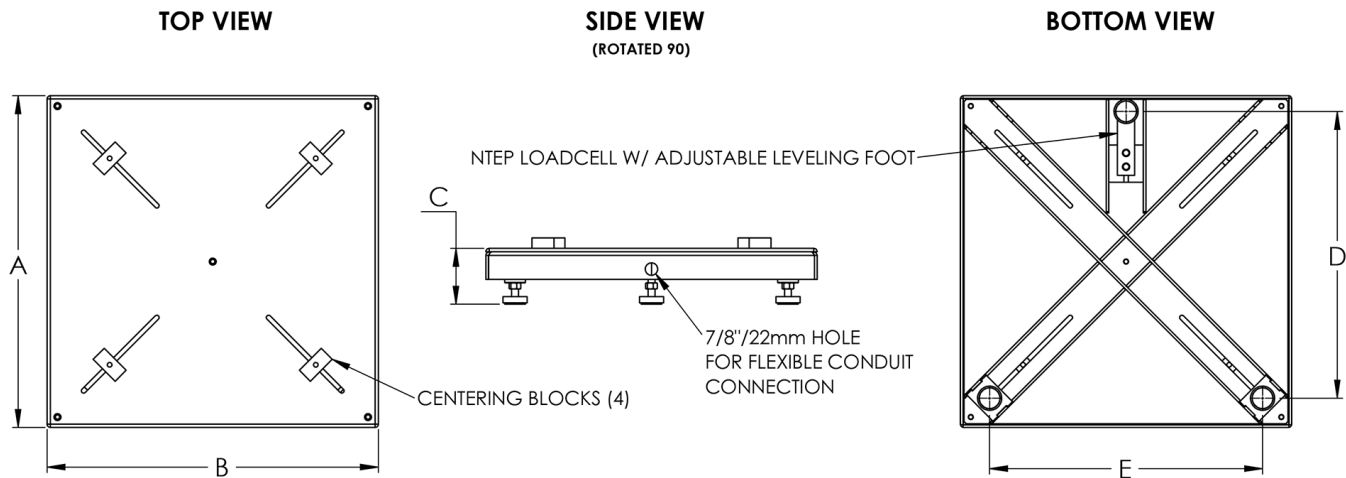
### Options

- High and low level set points
- 0-5V or 0-10V output signal
- Remote mounting of indicator box up to 200 feet away
- Seismic hold down brackets
- Stainless steel, ball-bearing bolt down feet (3)

### Chemicals

- Scale is designed to accurately measure weight of alum, ammonia, caustic, fluoride, phosphate, polymers, sodium aluminate, sodium bisulfate, sodium hydroxide, sodium hypochlorite and other liquids or powders

# Model 4010™ Digital Tank Scale Sizes & Specifications



## Scale Base

PART NUMBER	4010-24	4010-30	4010-36	4010-48
Platform Length (A)	24" (610 mm)	30" (762 mm)	36" (914 mm)	48" (1219 mm)
Platform Width (B)	24" (610 mm)	30" (762 mm)	36" (914 mm)	48" (1219 mm)
Platform Height (C)	3.75" (95 mm) - add 1/2" for bolt down feet	3.75" (95 mm) - add 1/2" for bolt down feet	3.75" (95 mm) - add 1/2" for bolt down feet	4.75" (121 mm) - add 1/2" for bolt down feet
D	19.78" (502 mm)	26.37" (670 mm)	31.82" (808 mm)	44.62" (1133 mm)
E	20.75" (527 mm)	27.05" (687 mm)	36.42" (925 mm)	45.17" (1147 mm)
Net Capacity	Up to 1000 lbs. (454 kg) (150% overload protection)	Up to 1500 lbs. (680 kg) (150% overload protection)	Up to 2500 lbs. (1134 kg) (150% overload protection)	Up to 5000 lbs. (2268 kg) (150% overload protection)
Weight	130 lbs.	150 lbs.	160 lbs.	240 lbs.

## Digital Controllers

PART NUMBER	ACCUPRO 5000-EK	ACCUPRO 5000-PB	1099 C.P.C.
Interface	Encoder knob	Keypad with three (3) push buttons	20 Button keypad
Accuracy	±0.1% to ±0.25% of full scale capacity	±0.1% to ±0.25% of full scale capacity	±0.1% to 0.25% of full scale capacity
Display	6 Digit alphanumeric backlit LCD	6 Digit alphanumeric backlit LCD	6 Digit LED & alphanumeric backlit LCD
Display Units	Pounds, kilograms, gallons or liters	Pounds, kilograms, gallons or liters	Pounds, kilograms, gallons or liters
Channels	1 or 2 - One scale base per channel	1 or 2 - One scale base per channel	Up to 4
4-20 mA	4-20mA Standard, 0-5V or 0-10V optional - 1 Output per channel, scale or loop powered	4-20mA Standard, 0-5V or 0-10V optional - 1 Output per channel, scale or loop powered	Standard on channel 1 - Loop powered (available for channels 2 thru 4)
Set Points	2 or 4 Per channel (high or low)	2 or 4 Per channel (high or low)	1 to 4 (high or low)
Remote Mounting	Up to 200 feet from base frame	Up to 200 feet from base frame	Up to 200 feet from base frame
Audible Alarm	Piezo buzzer with adjustable volume	Piezo buzzer with adjustable volume	Optional piezo buzzer with adjustable volume
Power	120/240 VAC, 50/60 Hz, 0.10/0.05A	120/240 VAC, 50/60 Hz, 0.10/0.05A	120/240 VAC, 50/60 Hz, 0.10/0.05A
Enclosure	NEMA 4X, UL approved enclosure	NEMA 4X, UL approved enclosure	NEMA 4X, UL approved enclosure
Weight	7 lbs.	7 lbs.	9 lbs.

### Scaleton Industries Ltd.

Bedminster Industrial Park  
53 Apple Tree Lane • P.O. Box 365  
Plumsteadville, PA 18949 • USA

Tel: (+1) 215-766-2670 (International)  
Tel: (+1) 800-257-5911 (USA & Canada)  
Fax: (+1) 215-766-2672

Email: [info@scaletonscales.com](mailto:info@scaletonscales.com)  
Website: [www.scaletonscales.com](http://www.scaletonscales.com)