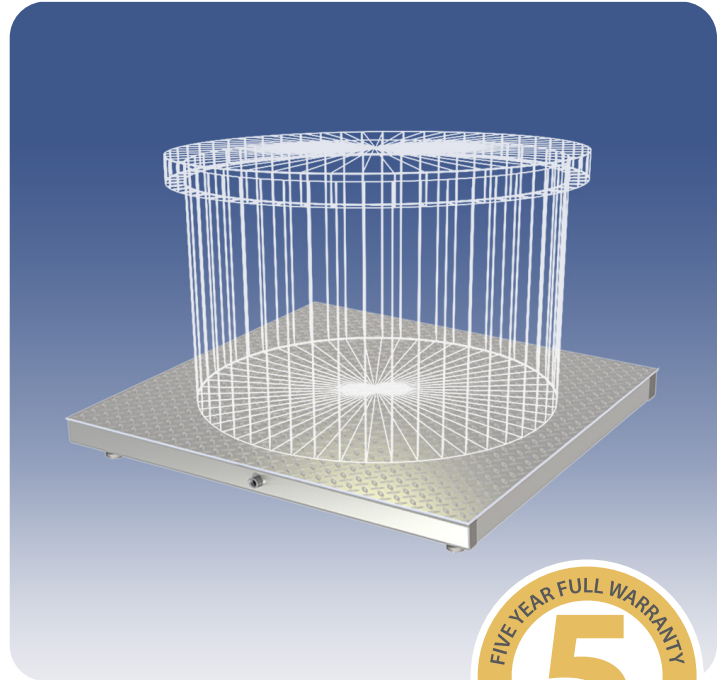


Model 4040SS™ Stainless Steel Digital Platform Scale

- **Standard base sizes: 24" x 24", 30" x 30", 36" x 36", 48" x 48", 60" x 60", 72" x 72"** – custom sizes available
- **Net capacity: Up to 10,000 lbs. (4535 kg)** – custom capacities available
- **High accuracy of ±0.1% of capacity**
- **Single or multi-channel controllers with easy readability to 0.1 lb. (kg)**
- **Readout in pounds, kilograms, gallons or liters**



High Capacity Weighing Solution for Highly Corrosive Chemicals with Frequent On/Off Loading of Drums and Tanks

The Model 4040 is designed for weighing tank, drums and totes up to 72"x72". Featuring a four (4) load cell design, the scale base is ideal for high capacity applications requiring frequent on/off loading of containers. MADE IN USA.

Standard Features

- Rugged, corrosion resistant 304 or 316 stainless steel construction, with stainless steel diamond plate deck for use in harsh environments
- Low profile platform (3.75" to 5.44") design increases safety and ease of container handling
- Accommodates off-center loads – containers can be placed anywhere on the scale platform and do not need to be leveled
- Four (4) NTEP stainless steel shear beam, temperature compensated load cells
- All hardware is stainless steel to prevent corrosion
- Electronic indicator housed in NEMA 4X, UL approved enclosure to provide protection from acids
- 20 ft. of 4 conductor wire cable

Available Controllers

- AccuPro 5000 Digital Controller with one or 2 channels, encoder knob or 3 button keypad, audible alarm and 4-20 mA output signal – scale or loop powered
- Model 1099 Chemical Process Controller with 1 to 4 channels, 20 button keypad and 4-20 mA output signal – scale or loop powered

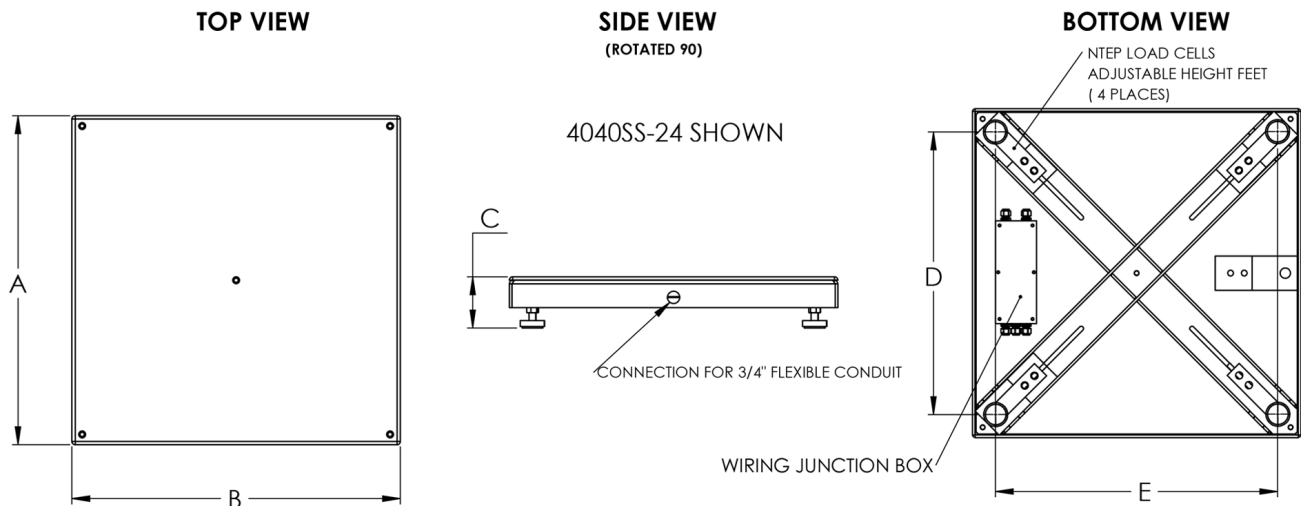
Options

- High and low level set points
- 0-5V or 0-10V output signal
- Remote mounting of indicator box up to 200 feet away
- Seismic hold down brackets
- Stainless steel, ball-bearing bolt down feet (4)

Chemicals

- Scale is designed to accurately measure weight of alum, ammonia, caustic, fluoride, phosphate, polymers, sodium aluminate, sodium bisulfate, sodium hydroxide, sodium hypochlorite and other liquids or powders

Model 4040SS™ Stainless Steel Digital Platform Scale Sizes & Specifications



Scale Base

| PART NUMBER | 4040SS-24 | 4040SS-30 | 4040SS-36 | 4040SS-48 | 4040SS-60 | 4040SS-72 |
|---------------------|---|---|--|--|--|--|
| Platform Length (A) | 24" (610 mm) | 30" (762 mm) | 36" (914 mm) | 48" (1219 mm) | 60" (1524 mm) | 72" (1828.8 mm) |
| Platform Width (B) | 24" (610 mm) | 30" (762 mm) | 36" (914 mm) | 48" (1219 mm) | 60" (1524 mm) | 72" (1828.8 mm) |
| Platform Height (C) | 3.75" (95 mm) - add 1/2" for bolt down feet | 3.75" (95 mm) - add 1/2" for bolt down feet | 3.75" (95 mm) - add 1/2" for bolt down feet | 4.75" (121 mm) - add 1/2" for bolt down feet | 4.75" (121 mm) - add 1/2" for bolt down feet | 5.44" (138 mm) - add 1/2" for bolt down feet |
| D | 19.78" (503 mm) | 26.37" (670 mm) | 31.82" (808 mm) | 44.62" (1133 mm) | 58" (1473 mm) | 65" (1651 mm) |
| E | 20.75" (527 mm) | 27.05" (687 mm) | 36.42" (925 mm) | 45.17" (1147 mm) | 58" (1473 mm) | 65.75" (1670 mm) |
| Net Capacity | Up to 1000 lbs. (454 kg) (150% overload protection) | Up to 1000 lbs. (454 kg) (150% overload protection) | Up to 2500 lbs. (1134 kg) (150% overload protection) | Up to 5000 lbs. (2268 kg) (150% overload protection) | Up to 8000 lbs. (3629 kg) (150% overload protection) | Up to 10,000 lbs. (4536 kg) (150% overload protection) |
| Weight | 130 lbs. | 150 lbs. | 160 lbs. | 240 lbs. | 370 lbs. | 545 lbs. |

Digital Controllers

| PART NUMBER | ACCUPRO 5000-EK | ACCUPRO 5000-PB | 1099 C.P.C. |
|-----------------|---|---|--|
| Interface | Encoder knob | Keypad with three (3) push buttons | 20 Button keypad |
| Accuracy | ±0.1% to ±0.25% of full scale capacity | ±0.1% to ±0.25% of full scale capacity | ±0.1% to 0.25% of full scale capacity |
| Display | 6 Digit alphanumeric backlit LCD | 6 Digit alphanumeric backlit LCD | 6 Digit LED & alphanumeric backlit LCD |
| Display Units | Pounds, kilograms, gallons or liters | Pounds, kilograms, gallons or liters | Pounds, kilograms, gallons or liters |
| Channels | 1 or 2 - One scale base per channel | 1 or 2 - One scale base per channel | Up to 4 |
| 4-20 mA | 4-20mA Standard, 0-5V or 0-10V optional - 1 Output per channel, scale or loop powered | 4-20mA Standard, 0-5V or 0-10V optional - 1 Output per channel, scale or loop powered | Standard on channel 1 - Loop powered (available for channels 2 thru 4) |
| Set Points | 2 or 4 Per channel (high or low) | 2 or 4 Per channel (high or low) | 1 to 4 (high or low) |
| Remote Mounting | Up to 200 feet from base frame | Up to 200 feet from base frame | Up to 200 feet from base frame |
| Audible Alarm | Piezo buzzer with adjustable volume | Piezo buzzer with adjustable volume | Optional piezo buzzer with adjustable volume |
| Power | 120/240 VAC, 50/60 Hz, 0.10/0.05A | 120/240 VAC, 50/60 Hz, 0.10/0.05A | 120/240 VAC, 50/60 Hz, 0.10/0.05A |
| Enclosure | NEMA 4X, UL approved enclosure | NEMA 4X, UL approved enclosure | NEMA 4X, UL approved enclosure |
| Weight | 7 lbs. | 7 lbs. | 9 lbs. |

Scaleton Industries Ltd.

Bedminster Industrial Park
53 Apple Tree Lane • P.O. Box 365
Plumsteadville, PA 18949 • USA

Tel: (+1) 215-766-2670 (International)
Tel: (+1) 800-257-5911 (USA & Canada)
Fax: (+1) 215-766-2672

Email: info@scaletonscales.com
Website: www.scaletonscales.com