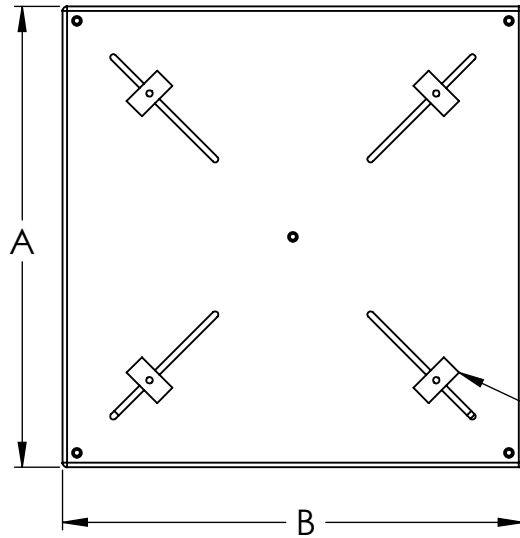


MODEL	A	B	C (Max)	D	E	NET CAPACITY LB/KG			
4010-24-_____	24"/610mm	24"/610mm	3.75"/95mm	19.78"/502mm	20.75"/527mm	400LB/181KG	600LB/272KG	800LB/363KG	1000LB/454KG
4010-30-_____	30"/762mm	30"/762mm	3.75"/95mm	26.37"/670mm	27.05"/687mm	600LB/272KG	800LB/363KG	1000LB/454KG	1500LB/680KG
4010-36-_____	36"/914mm	36"/914mm	3.75"/95mm	31.82"/808mm	36.42"/925mm	1000LB/454KG	1500LB/680KG	2000LB/907KG	2500LB/1134KG
4010-48-_____	48"/1219mm	48"/1219mm	4.75"/121mm	44.62"/1133mm	45.17"/1147mm	2000LB/907KG	3000LB/1361KG	4000LB/1814KG	5000LB/2268KG

(EX: 4010-48-5000LB OR 4010-48-2268KG)

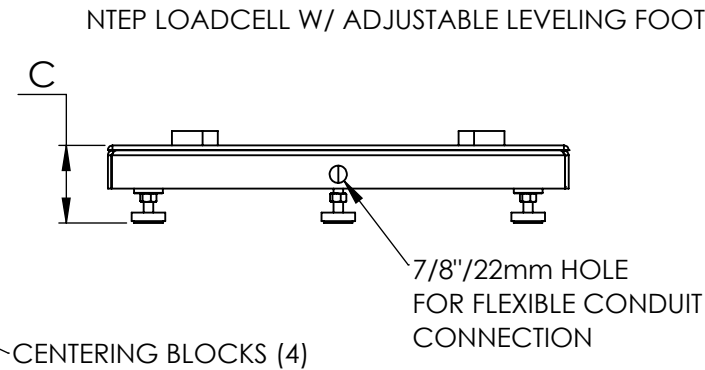
\*\*\*OTHER CAPACITIES AVAILABLE ON REQUEST\*\*\*

### TOP VIEW

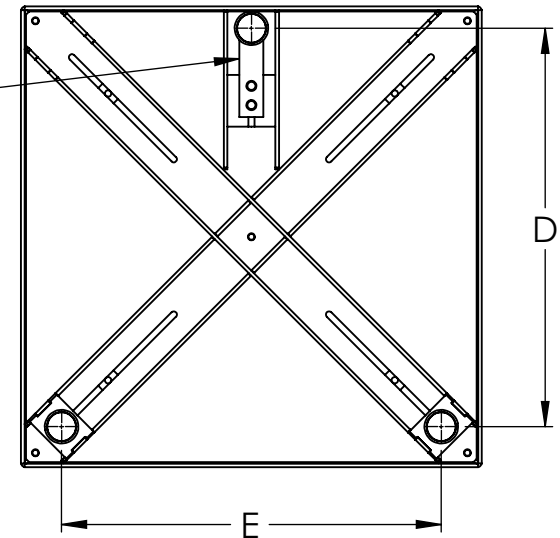


### SIDE VIEW

(ROTATED 90)



### BOTTOM VIEW



NOTES:  
STANDARD CONSTRUCTION:  
POWDER COATED STEEL  
1/4"/6.35mm PVC DECK  
20'/6.1M LENGTH OF WIRE  
FOR CENTERED LOADS



53 Appletree Lane  
P.O. Box 365  
Plumsteadville, PA 18949  
Toll Free: (800) 257-5911  
Phone: (215) 766-2670  
Fax: (215) 766-2672  
E-Mail: info@scaletronscales.com  
Website: www.scaletronscales.com

#### NOTICE

THE INFORMATION CONTAINED IN THIS DRAWING IS THE SOLE PROPERTY OF SCALETRON INDUSTRIES LTD. ANY REPRODUCTION IN PART OR AS A WHOLE WITHOUT THE WRITTEN PERMISSION OF SCALETRON INDUSTRIES LTD IS PROHIBITED.

MODEL 4010  
DAY TANK SCALE

REV

CBC 8/10/2021