

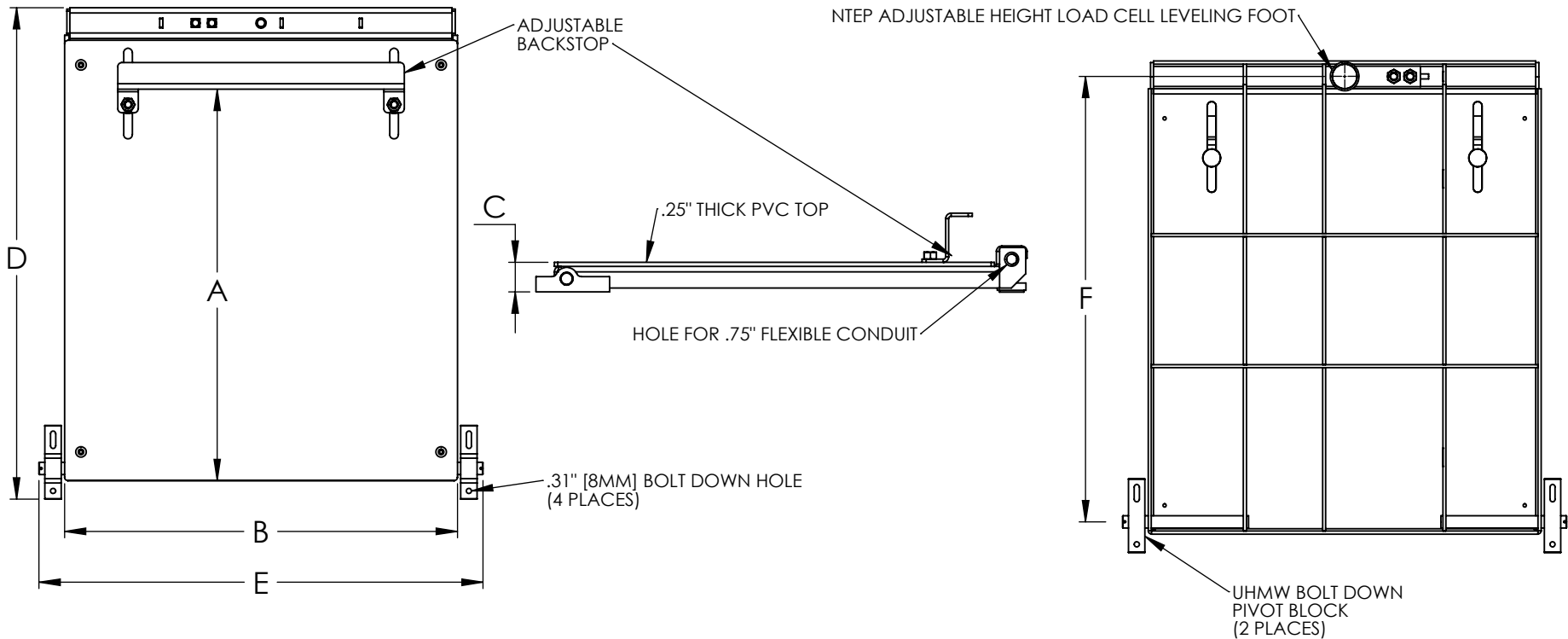
MODEL	A Max	B	C	D	E	F	NET CAPACITY LB/KG			
4021-18-_____	20"/508mm	18"/457mm	1.81"/46mm	21.12"/536mm	21.12"/536mm	20.44"/519mm	100LB/45KG	200LB/91KG	300LB/136KG	400LB/181KG
4021-26-_____	26.8"/681mm	24.0"/610mm	1.81"/46mm	27.13"/689mm	27.13"/689mm	27.19"/691mm	400LB/181KG	600LB/272KG	800LB/363KG	1000LB/454KG

(EX: 4021-18-100LB OR 4021-18-45KG)

TOP VIEW

SIDE VIEW (ROTATED 90)

BOTTOM VIEW



NOTES:
 STANDARD CONSTRUCTION:
 POWDER COATED STEEL
 1/4"/6.35mm PVC DECK
 20'/6.1M LENGTH OF WIRE
 18" BASE FOR CYLINDERS 12-18"
 26" BASE FOR CYLINDERS 18-26"



53 Appletree Lane
 P.O. Box 365
 Plumsteadville, PA 18949
 Toll Free: (800) 257-5911
 Phone: (215) 766-2670
 Fax: (215) 766-2672
 E-Mail: info@scaletronscales.com
 Website: www.scaletronscales.com

NOTICE

THE INFORMATION CONTAINED IN THIS DRAWING IS THE SOLE PROPERTY OF SCALETRON INDUSTRIES LTD. ANY REPRODUCTION IN PART OR AS A WHOLE WITHOUT THE WRITTEN PERMISSION OF SCALETRON INDUSTRIES LTD IS PROHIBITED.

MODEL 4021
 ULTRA LOW PROFILE SCALE

REV

CBC 8/10/2021