

## Model 4042WB™ Spill Containment Scale Base with bladder

[PN: 4042WB- (enter size of base) – (enter net capacity in LB or KG)]:

The Model 4042WB™ Spill Containment Scale with bladder is assembled and calibrated to the digital controller at the factory, then partially disassembled for shipment. **Depending on size of containment basin, sometimes they are shipped direct from the manufacturer and will arrive separate from scale base and controller.**

### Set up and Wiring:

**Step 1:** Remove all parts from box and inspect for damage – bent metal, broken wires, cracks in indicator, etc. **Any shipping damage must be reported to carrier!**

**1<sup>st</sup> Parts Bag Contains:** (inside containment basin)

- 4) leveling feet w/ jam nuts

**2<sup>nd</sup> Parts Bag Contains:** (inside box with bladder)

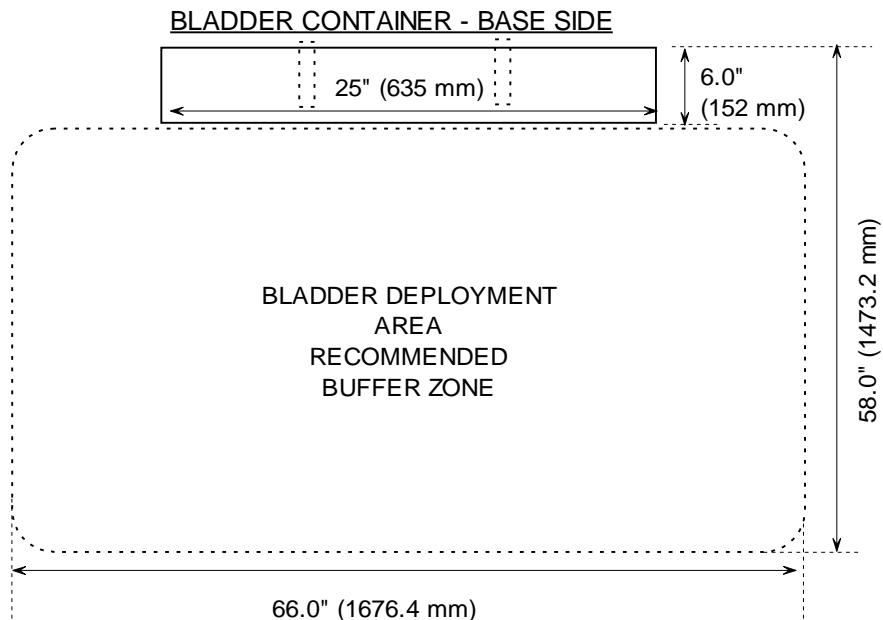
- 1) washer
- 2) 5/16-18 screws
- 2) support brackets

**Step 2:** Install Leveling feet. **The leveling feet have been removed for shipping to prevent damage or loss.**

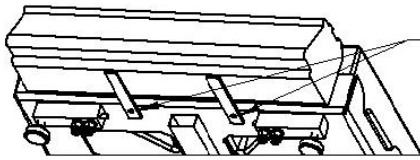
You must install these (4) leveling feet into the load cells before placing base right-side-up. Make sure the nut is far enough down on the foot so that you can screw the foot into the base, and then use the feet to make solid contact with floor.

**Step 3:** Place the scale on a solid, dry, and even surface. Clear the area of all debris where the scale base will be set up. The “foot” that is in the load cell is adjustable with a nut to tighten. Use the nut to tighten the foot so that it cannot move.

**Step 4: VERY IMPORTANT:** Make sure that expandable bladder has room and clearance to expand without coming into contact with any other objects that may cause a leak or obstruct proper expansion of the bladder!!!

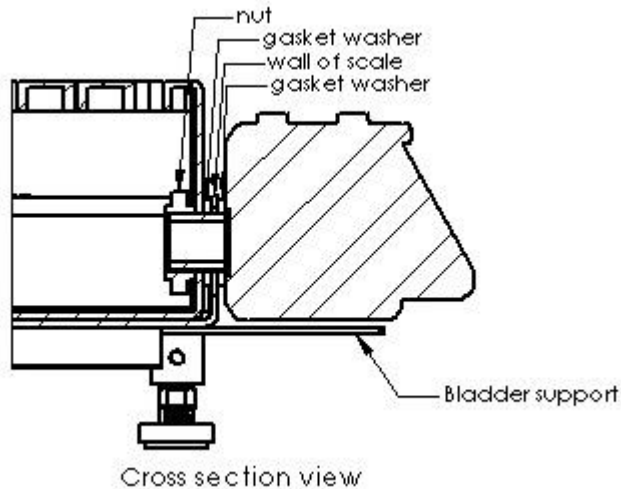


**Step 5:** Install bladder support using below instructions:



Install bladder supports with supplied (2) 5/16-18 screws. Note the holes opposite of the junction box are pre-threaded. They may be mounted on the other sides if the holes are threaded by the installer.

**Step 6:** Place Containment basin inside of scale base and install bladder using below instructions:



**Step 7:** If conduit is to be used, we recommend at least 2 feet of horizontally mounted, FLEXIBLE conduit as to not interfere with free movement of the base for accurate measurement. Feed the wire up through the conduit, and apply a fitting.

**Step 8:** Connect the wires into the connector using the following code:

**Wire Color Code:**

Green = + Signal  
White = - Signal  
Black = - Supply Voltage  
Red = + Supply Voltage  
Violet = Shield

**\*\*\*See controller manual for rest of set-up and operating instructions.\*\*\***

**Replacement Parts:**

PN: **SB/SS-** (*enter load cell value*) **-LC** : replacement load cell & shim  
PN: **4042LF** : leveling foot & jam nut for Model 4042WB scale base  
PN: **4042-CB26** : 26" Replacement Spill Containment Basin (11 gal)  
PN: **4042-CB26x52** : 26"x52" Replacement Spill Containment Basin (22 gal)  
PN: **4042-CB52x52** : 52"x52" Replacement Spill Containment Basin (44 gal)  
PN: **4042BO** : Complete bladder attachment  
PN: **4042RB** : Replacement Bladder Bag *ONLY*