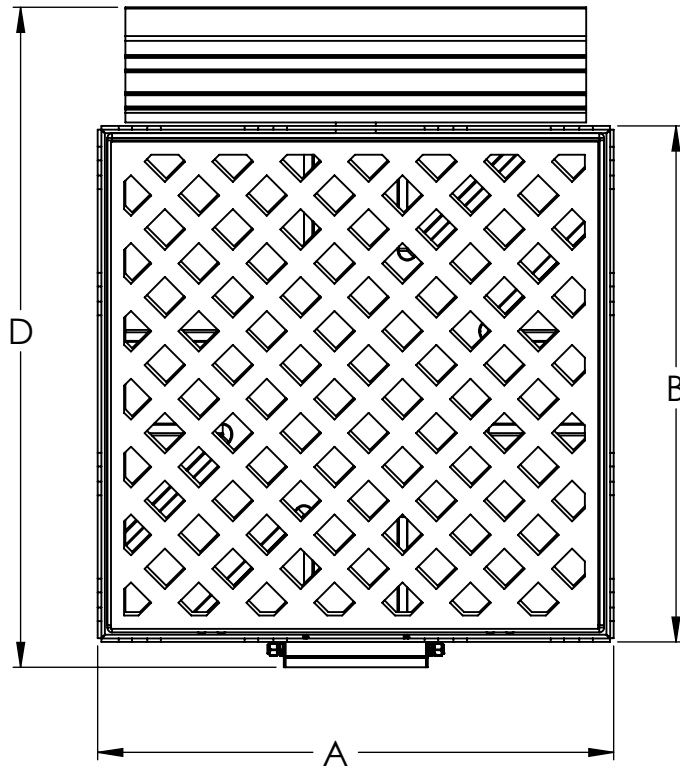


MODEL	A	B	C	D	NET CAPACITY LB/KG			
4042WB-26-____	26.875"/683mm	26.875"/683mm	8.84"/224mm	34.375"/873mm	400LB/181KG	600LB/272KG	800LB/363KG	1000LB/454KG

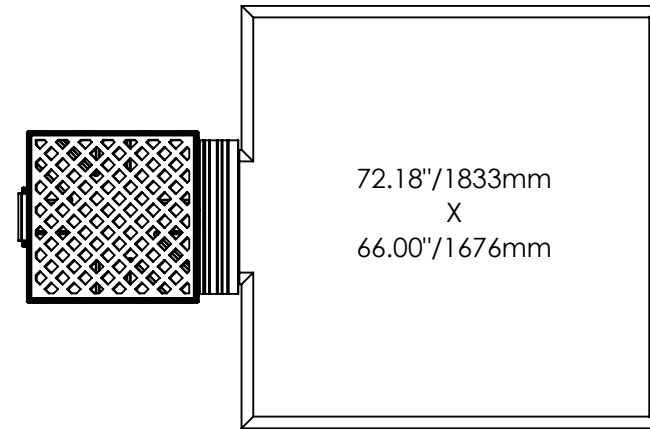
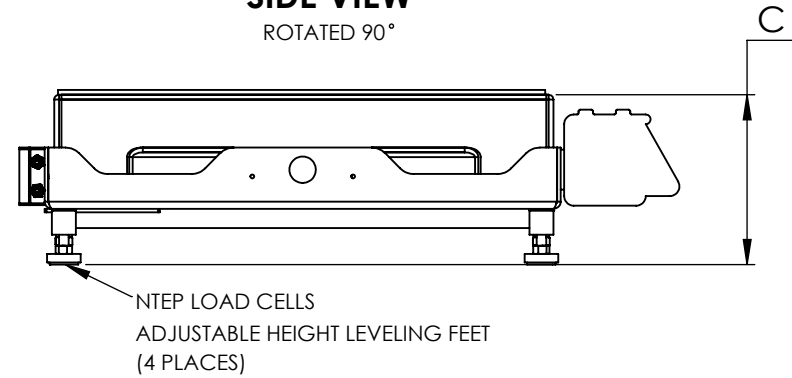
[EX: 4042WB-26-800LB (OR 363KG)]

TOP VIEW



SIDE VIEW

ROTATED 90°



BLADDER DEPLOYED

BLADDER MAY ALSO BE MOUNTED ON SIDES

NOTES:

STANDARD CONSTRUCTION:
 POWDER COATED STEEL
 20'/6.1M LENGTH OF WIRE
 77 GALLON CONTAINMENT WITH BLADDER DEPLOYED



53 Appletree Lane
 P.O. Box 365
 Plumsteadville, PA 18949
 Toll Free: (800) 257-5911
 Phone: (215) 766-2670
 Fax: (215) 766-2672
 E-Mail: info@scaletronscales.com
 Website: www.scaletronscales.com

NOTICE

THE INFORMATION CONTAINED IN THIS DRAWING IS THE SOLE PROPERTY OF SCALETRON INDUSTRIES LTD. ANY REPRODUCTION IN PART OR AS A WHOLE WITHOUT THE WRITTEN PERMISSION OF SCALETRON INDUSTRIES LTD IS PROHIBITED.

MODEL 4042WB-26
 CONTAINMENT SCALE
 WITH BLADDER OPTION

REV

CBC 8/11/2021