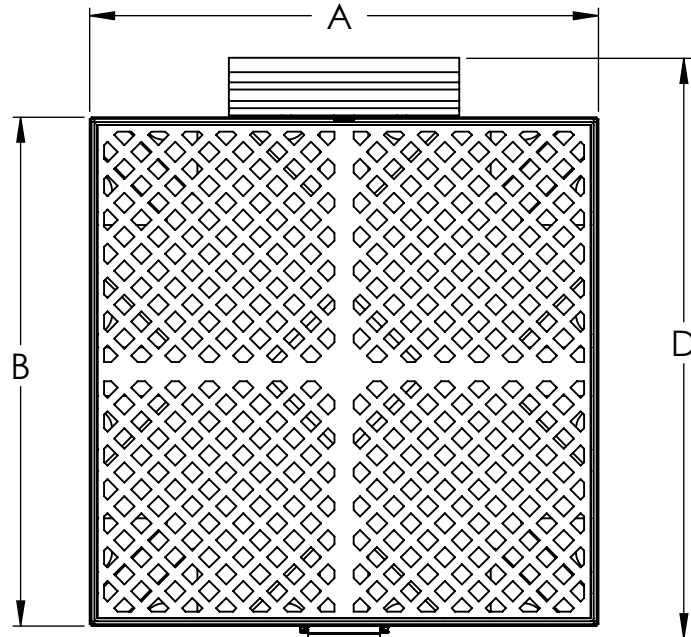


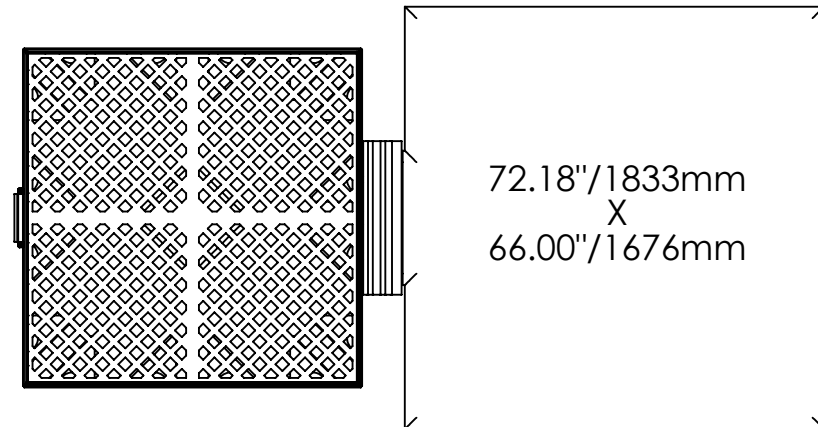
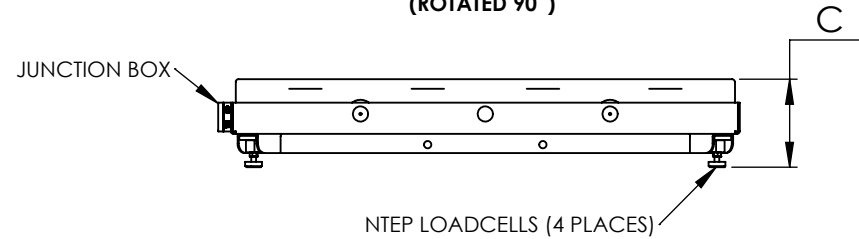
MODEL	A	B	C	D	NET CAPACITY LB/KG			
4042-52X52-_____	53.0"/1346mm	53.0"/1346mm	9.2"/233mm	60.5"/1537mm	2000LB/907KG	3000LB/1361KG	4000LB/1814KG	5000LB/2268KG

[EX: 4042-52X52-5000LB (OR 2268KG)]

TOP VIEW



**SIDE VIEW
(ROTATED 90°)**



NOTES:
 STANDARD CONSTRUCTION:
 POWDER COATED STEEL
 20/6.1M LENGTH OF WIRE
 110 GALLON CONTAINMENT CAPACITY WITH DEPLOYED BLADDER



53 Apple Tree Lane
 P.O. Box 365
 Plumsteadville, PA 18949
 Toll Free: (800) 257-5911
 Phone: (215) 766-2670
 Fax: (215) 766-2672
 E-Mail: info@scaletronscales.com
 Website: www.scaletronscales.com

NOTICE
 THE INFORMATION CONTAINED IN THIS DRAWING IS THE SOLE PROPERTY OF SCALETRON INDUSTRIES LTD. ANY REPRODUCTION IN PART OR AS A WHOLE WITHOUT THE WRITTEN PERMISSION OF SCALETRON INDUSTRIES LTD IS PROHIBITED.

MODEL 4042WB-52X52 CONTAINMENT SCALE	REV
	CBC 11/3/2021