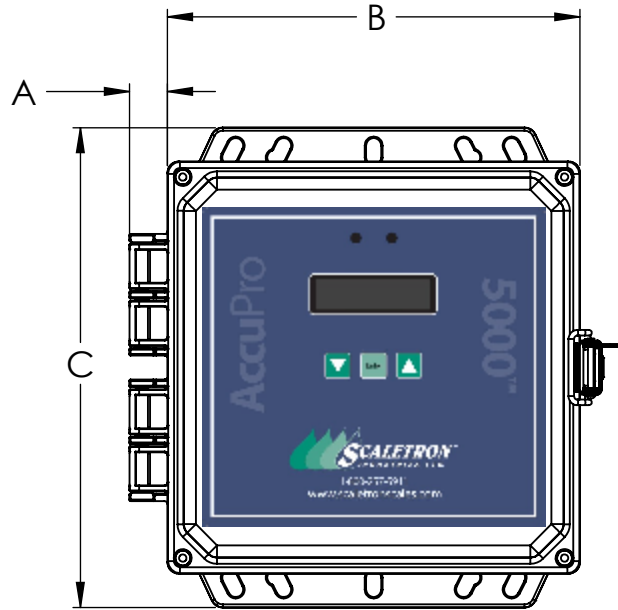
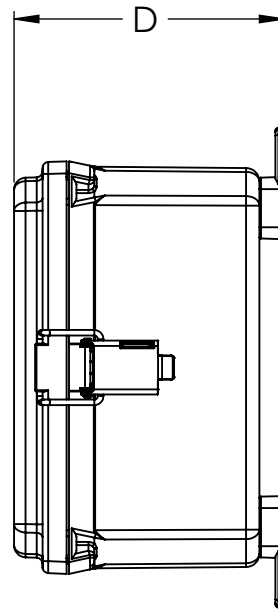


MODEL	A	B	C	D	F	G
5000PB-1 (CHANNEL)	.79"/20mm	8.59"/218mm	9.99"/254mm	5.63"/143mm	5.75"/146mm	9.25"/235mm
5000PB-2 (CHANNEL)	.79"/20mm	8.59"/218mm	9.99"/254mm	5.63"/143mm	5.75"/146mm	9.25"/235mm

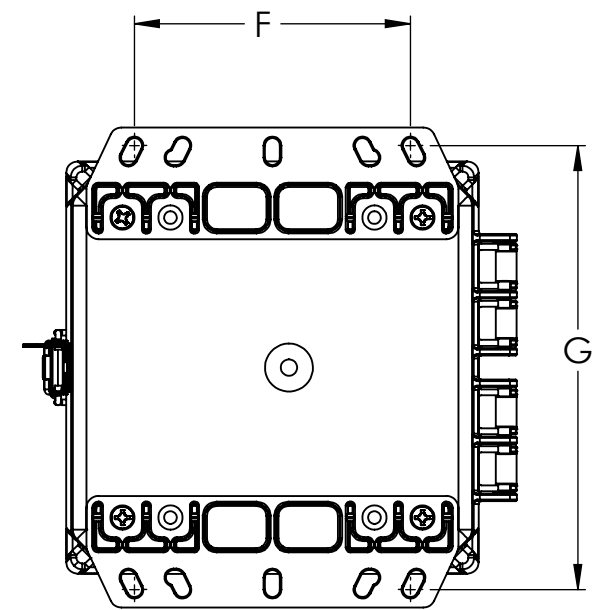
FRONT



SIDE



BACK



NOTES:
 NEMA 4X UL APPROVED ENCLOSURE
 6'/1.8M POWER CORD

OPTIONS:
 PN: 5000-SP PAIR OF SET POINTS
 PN: 5000-VO VOLTAGE OUT
 PN: R-IO REMOTE MOUNT
 PN: 4-CS EXTRA WIRE FOR REMOTE MOUNT OPTION



53 Apple Tree Lane
 P.O. Box 365
 Plumsteadville, PA 18949
 Toll Free: (800) 257-5911
 Phone: (215) 766-2670
 Fax: (215) 766-2672
 E-Mail: info@scaletonscales.com
 Website: www.scaletonscales.com

NOTICE
 THE INFORMATION CONTAINED IN THIS
 DRAWING IS THE SOLE PROPERTY OF
 SCALETRON INDUSTRIES LTD. ANY
 REPRODUCTION IN PART OR AS A WHOLE
 WITHOUT THE WRITTEN PERMISSION OF
 SCALETRON INDUSTRIES LTD IS
 PROHIBITED.

ACCUPRO 5000
 W / PUSH BUTTONS

REV

CBC 10/6/2021