



SCALETRON™ SETS THE STANDARD
IN CORROSION RESISTANCE™

Model AccuPro 1000™ Economical Digital Scale Controller with Push Button Keypad

- Single or dual-channel operation (dual channel shown)
- Push button keypad interface
- High accuracy of ± 0.1 to $\pm 0.25\%$ of capacity
- Alphanumeric/graphic LCD display with easy readability to 0.1 lb. (kg)
- Readout in pounds, kilograms, gallons, or liters
- Optional 4-20 mA outputs



Economical Digital Scale Controller with 1 or 2 Channels Offers Push Button Input

The Model AccuPro 1000 Digital Scale Controller and Measurement System is designed for use with Scaleton's complete line of cylinder, ton cylinder, drum, tank, platform, IBC tote and spill containment scale bases. Featuring an easy to read alphanumeric/graphic LCD display and push button keypad, the controller provides an excellent accuracy of $\pm 0.1\%$ to $\pm 0.25\%$ of full scale capacity and will display net weight in pounds, kilograms, gallons, or liters. The controller is available with 1 or 2 channels with optional 4-20 mA outputs. The 4-20 mA output (scale or loop powered) is scalable to a user defined value, and is adjustable. The controller allows the user to easily adjust configuration, tare, and view system diagnostics. The user may apply the indicator to filling applications, as well as loading applications.

Standard Features

- Electronic indicator housed in NEMA 4X, UL approved wall mount enclosure to provide protection from acids
- Single or dual-channel operation
- Keypad input interface with four (4) push buttons
- Displays gross or net weight, display unit, and tare
- Compatibility with all Scaleton scales
- Ability to mix different scale types on one controller
- Field programmable and calibratable
- 6 Foot power cord

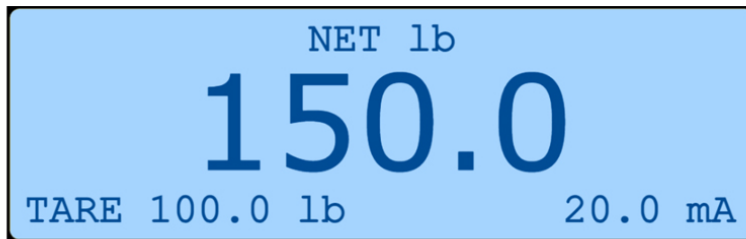
Options

- 4-20 mA analog output for each channel – scale or loop powered
- Remote mounting of indicator box up to 200 feet (61 meters) away from scale base

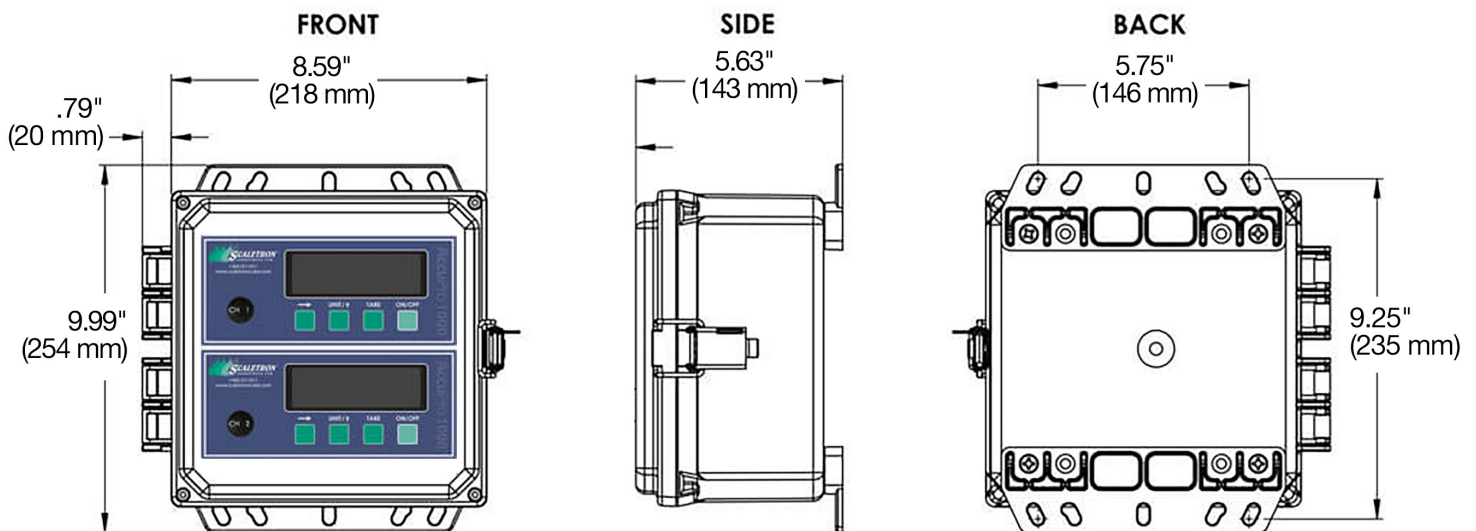
Model AccuPro 1000™ Economical Digital Scale Controller with Push Button Keypad

Display Screens

Weight Display



Dimensions



NOTE: MODEL 1000-2 DUAL CHANNEL CONTROLLER SHOWN

Specifications

PART NUMBER	ACCUPRO 1000™
Interface	Keypad with four (4) push buttons
Accuracy	±0.1% to ±0.25% of full scale capacity
Display	Backlit graphical LCD with up to 6 weight digits
Display Items	Displays net or gross weight, display unit, tare, mA output signal (if applicable), and error status
Display Screens	One (1) per channel
Display Units	Pounds, kilograms, gallons, or liters
Channels	1 or 2 (one scale base per channel)
Output Signal	Optional 4-20 mA output per channel, based on net weight, scale or loop powered
Remote Option	Can be remotely mounted up to 200 feet from scale base
Power	100-250 VAC, 50/60 Hz, max 6 watts
Enclosure	NEMA 4X, UL approved enclosure
Shipping Weight	7 lbs.