

Model 4021™ Ultra-Low Profile Drum Scale

- Standard base sizes: 18" and 26"
- Net capacity: Up to 1,000 lbs. (454 kg)
- High accuracy of $\pm 0.25\%$ of capacity
- Single or multi-channel controllers with easy readability to 0.1 lb. (kg)
- Readout in pounds, kilograms, gallons or liters



AccuPro 1000-1
Controller with
Keypad

AccuPro 1000-2
Controller with
Keypad

AccuPro 6000-TS
Controller with
Touch Screen

AccuPro 7000-TS
Controller with
Touch Screen

Ultra-Low Profile Weighing Solution for Applications Requiring Frequent On/Off Loading of Carboys and Drums

Model 4021 is designed for weighing carboys and drums up to 26" in diameter. Featuring an economical single load cell design, the ultra-low profile base and adjustable backstop allows for safe and easy handling and centering of containers. MADE IN USA.

Standard Features

- Rugged steel construction protected by a corrosion resistant, zinc oxide primed and dry powder epoxy coated finish, with solid 1/4" PVC decking for use in harsh environments
- Ultra-low profile platform (1.81") design increases safety and ease of drum handling
- Designed for centered loads – includes heavy-duty steel backstop with measuring guides to help position the drum
- NTEP stainless steel shear beam, temperature compensated load cell
- Electronic indicator housed in NEMA 4X, UL approved enclosure to provide protection from acids
- 20 ft. of 4 conductor wire cable

Available Controllers

- AccuPro 1000 Digital Controller with 1 or 2 channels, 4 button keypad and optional 4-20 mA output signal – scale or loop powered
- AccuPro 6000 Digital Controller with 1 or 2 channels, touch screen and 4-20 mA output signal – scale powered
- AccuPro 7000 Digital Controller with up to 4 channels, touch screen and 4-20 mA output signal – scale powered

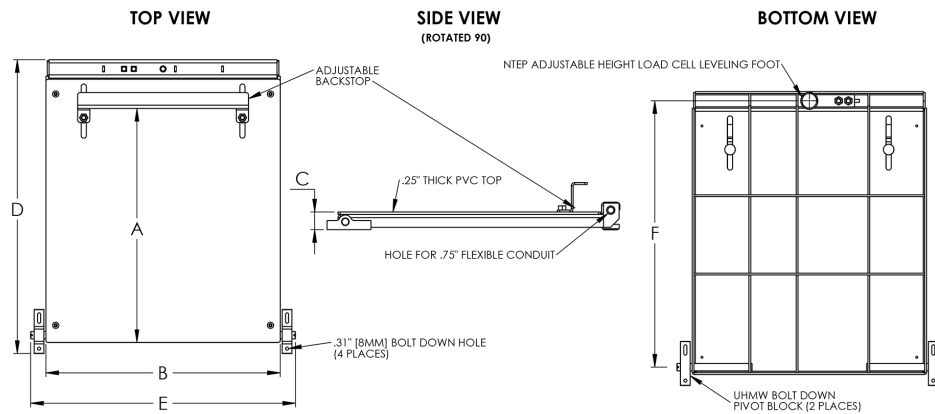
Options

- High and low level set points
- 0-5V or 0-10V output signal
- Remote mounting of indicator box up to 200 feet away

Chemicals Weighed

- Alum, ammonia, caustic, fluoride, phosphate, polymers, sodium aluminate, sodium bisulfate, sodium hydroxide, sodium hypochlorite and other liquids or powders

Model 4021™ Ultra-Low Profile Drum Scale Specifications



Scale Base

PART NUMBER	4021-18	4021-26
Platform Length (A)	20.07" (510 mm)	26.82" (681 mm)
Platform Width (B)	18" (457 mm)	24.0" (610 mm)
Platform Height (C)	1.81" (46 mm)	1.81" (46 mm)
D	23.39" (594 mm)	30.14" (765 mm)
E	21.12" (536 mm)	27.12" (689 mm)
F	20.46" (520 mm)	27.26" (692 mm)
Net Capacity	Up to 400 lbs. (181 kg) (150% overload protection is provided)	Up to 1000 lbs. (454 kg) (150% overload protection is provided)
Weight	80 lbs.	110 lbs.

Digital Controllers

PART NUMBER	ACCUPRO 1000	ACCUPRO 6000-TS or 7000-TS
Interface	4 Button keypad	Touch screen
Accuracy	±0.1% to ±0.25% of full scale capacity	±0.1% to ±0.25% of full scale capacity
Display	1 Line x 6 character alphanumeric backlit LCD with 6 digits for weight	4.3" Graphic color LCD touch screen display with adjustable brightness
Display Items	Net weight and tare adjustment	Net and gross weight, % and bar graphs; mA out, tare adj., set points, 7000: data log, feed rate, daily usage, amount used, days till empty; batch net wt, batch and total amount, time
Channels	1 or 2 - One scale base per channel	Up to 4 - One scale base per channel
Output Signal	4-20mA Optional – scale or loop powered	4-20mA Optional - scale powered
Set Points		2 or 4 Per channel (high or low) - max. 8
Remote Option	Up to 200 feet from base frame	Up to 200 feet from base frame
Audible Alarm		Optional 78 dB internal piezo buzzer, external buzzer support
Communication Option		Modbus TCP or RTU
Power	90/240 VAC, 50/60Hz, 0.10/0.05A	100/277 VAC, 50/60 Hz, 0.10/0.05A
Weight	NEMA 4X, UL approved enclosure	NEMA 4X, UL approved enclosure
Enclosure	7lbs.	7lbs.